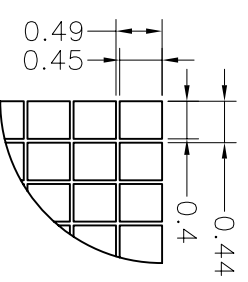
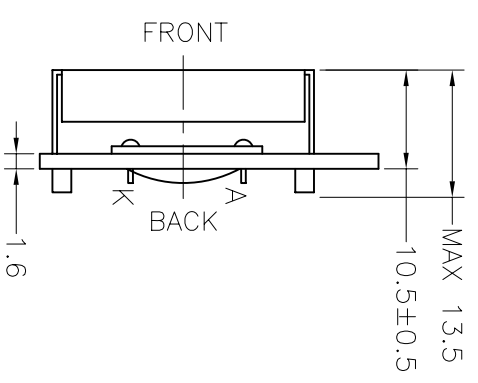
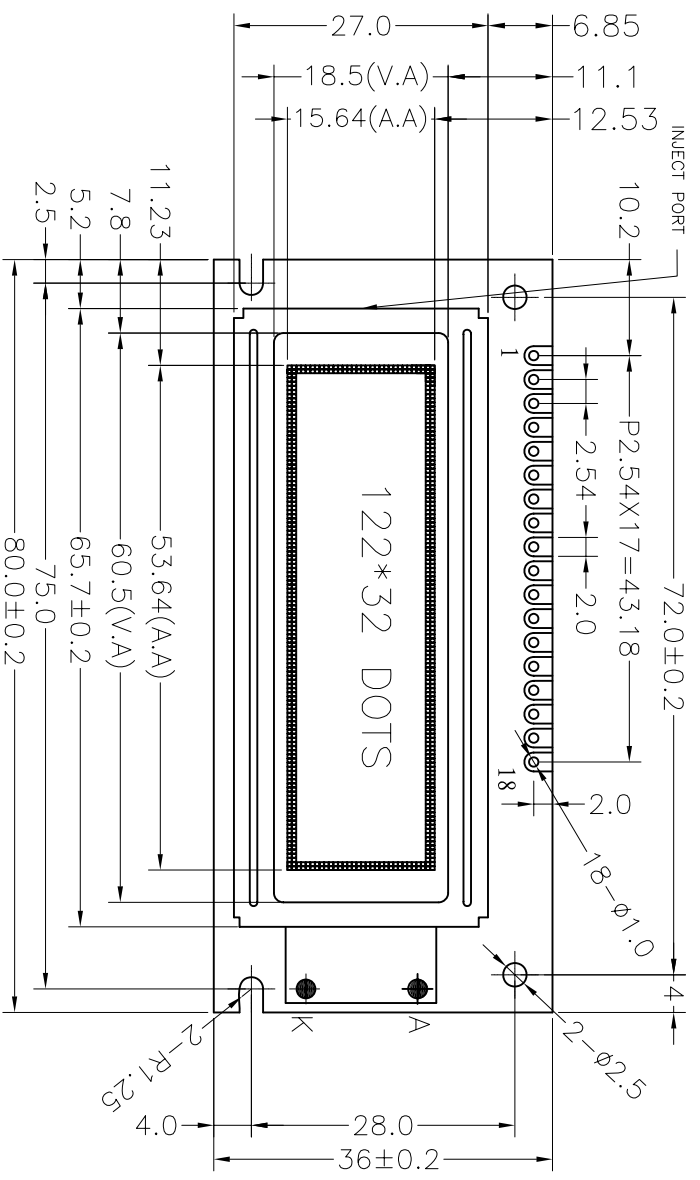


REV 版本	DESCRIPTION 描述	DATE 日期
A00	First issue	Aug-26-2005
A01	Change IC	Aug-24-2006
A02	Carry out RoHS	Oct-18-2006



DOT SIZE
SCALE: 10:1

VIEWING DIRECTION

Specification:

- 1). Driving: Duty:1/32, Bias:1/5, VDD:5.0V, VLCD:4.5V
- 2). Viewing direction: 6 O'clock
- 3). Display mode: STN/Positive/Transflective/Y-G
Operating temp.: -20°C~+70°C
- 4). Storage temp.: -30°C~+80°C
- 5). Drive IC: PT6520
- 6). Backlight: Bottom Yellow-green
- 7). Dimensions with mark “(*)” are important,
with mark “(v)” are referenced
- 8). All the raw materials are RoHS complicant

PIN	1	2	3	4	5	6	7	8	9
CONNECTOR	VSS	VDD	VO	AO	E1	E2	R/W	DB0	DB1
PIN	10	11	12	13	14	15	16	17	18
CONNECTOR	DB2	DB3	DB4	DB5	DB6	DB7	RST	LEDA	LEDK

<p>深圳秋田电子有限公司 SHENZHEN AV-DISPLAY CO.,LTD.</p>		SCALE:	FTT 适应图面
		比例	
PART NO: CD 结构图		PROJECTION 三角法	MODEL NUMBER 模组型号
ABG122032G01-YHY-R		ABG122032G01-YHY-R	
APP:		CHK:	DWN:
SHEET: 1 OF 1		GENERAL TOL: ±0.3	UNIT 单位 mm
页次		公差	日期
APPROVALS 签字			