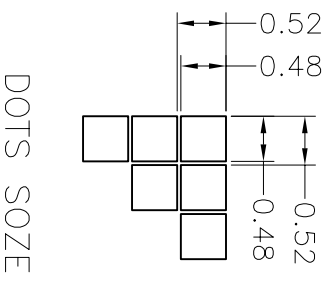
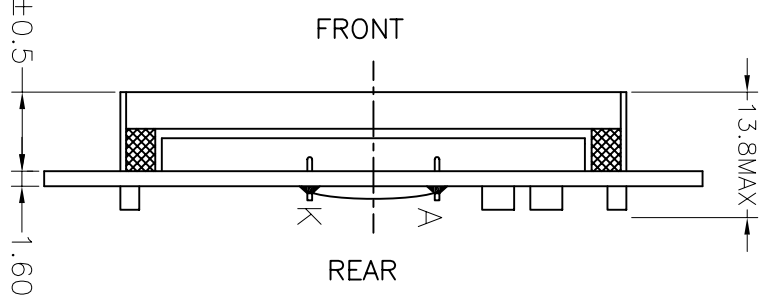
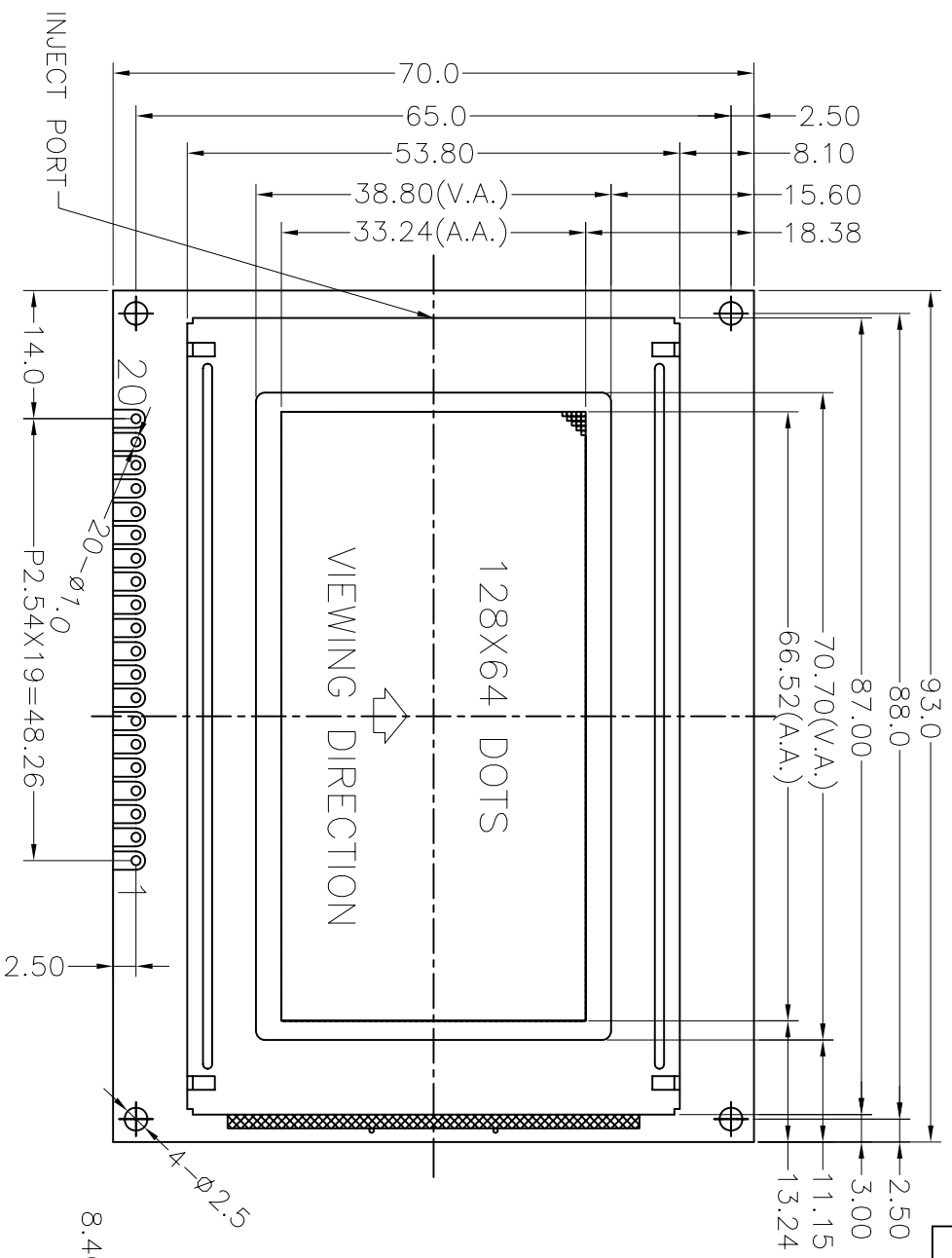


REV 版本	DESCRIPTION 描述	DATE 日期
A00	First issue	NOV-11-2006



Specification:

- 1). Driving: Duty:1/64, Bias:1/6, VLCD:8.0V, VDD:5.0V
- 2). Viewing angle: 6 O'clock
- 3). Display mode: FSTN/Negative/Ttransmissive
- 4). Operating temp.: -20°C~+70°C
Storage temp.: -30°C~+80°C
- 5). IC: KS0108B
- 6). Backlight: Side White
- 7). Dimensions with mark "*" are important, with mark "()" are referenced
- 8). Meet for RoHS

PIN	1	2	3	4	5	6	7	8	9	10
CONNECTION	VSS	VDD	VO	RS	R/W	E	DB0	DB1	DB2	DB3
PIN	11	12	13	14	15	16	17	18	19	20
CONNECTION	DB4	DB5	DB6	DB7	/CS1	/CS2	RST	VEE	LEDA	LEDK



深圳市秋田视佳实业有限公司
SHENZHEN AV-DISPLAY CO.,LTD.

PART NO: 零件编号	C/D 结构图	PROJECTION 三角法	MODEL NUMBER 模组型号	SCALE 比例	FTT 适应图面
FAV-ABG128064A11-R-00			ABG128064A11-MV-R	1 OF 1	
APPROVALS 签字				UNIT 单位	DATE 日期
CHK: _____				mm	
DWN: _____				GENERAL TOL: ±0.3	

DO NOT SCALE THIS DRAWING.