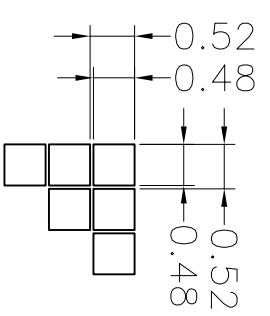
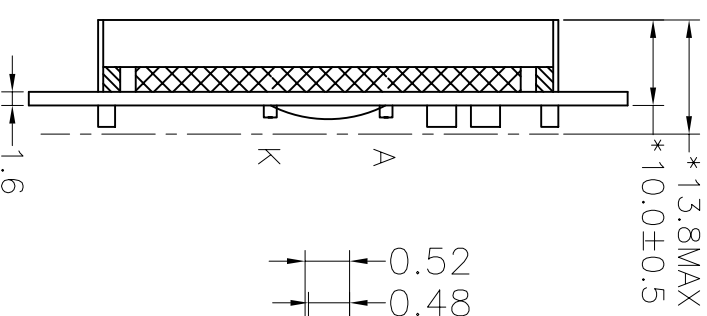
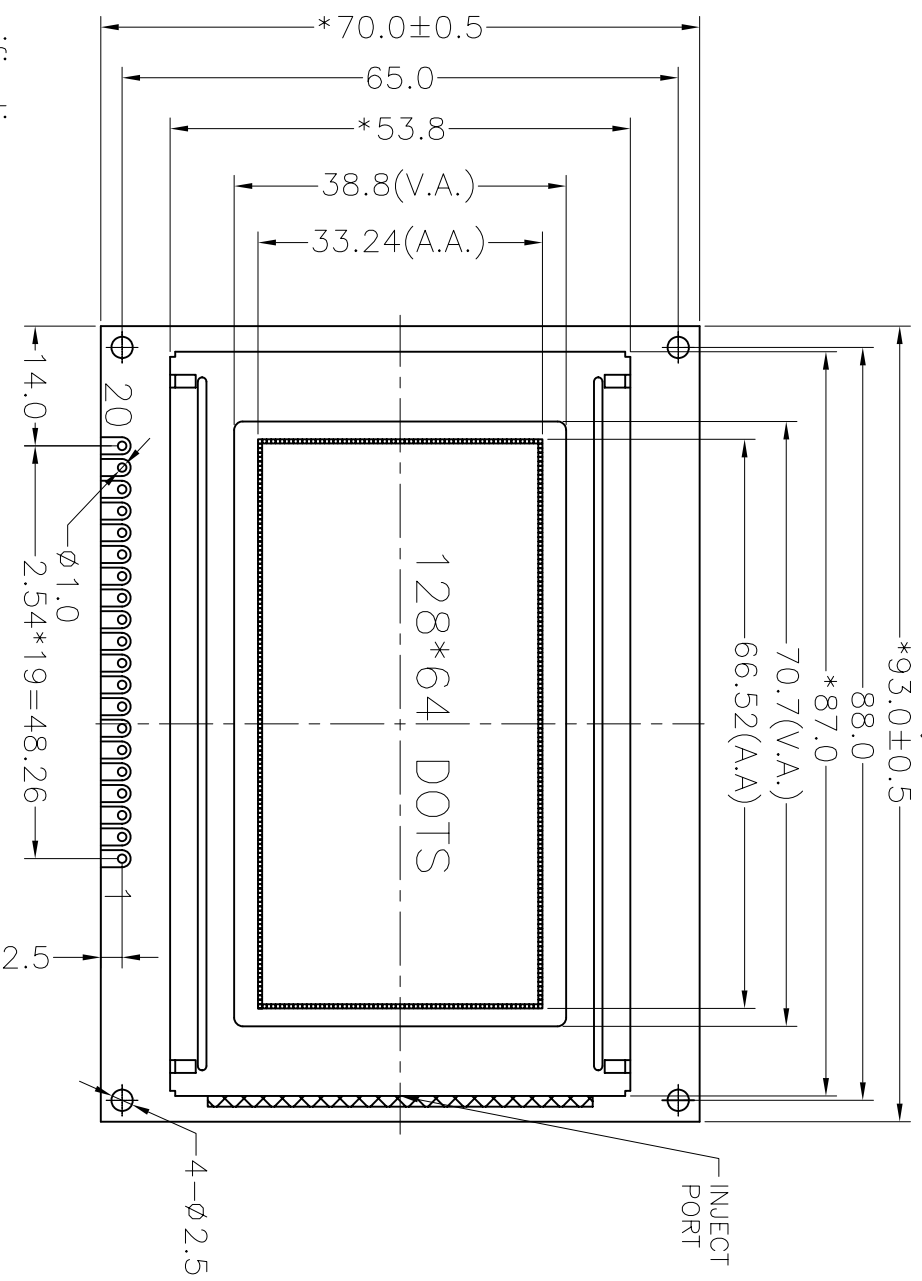


REV 版本	DESCRIPTION 描述	DATE 日期
A	First issue	Mar-11-2008

VIEWING DIRECTION



DOTS SIZE  
SCALE 10:1

PIN	1	2	3	4	5	6	7	8	9	10
CONNECTOR	VSS	VDD	V0	RS	R/W	E	DB0	DB1	DB2	DB3
PIN	11	12	13	14	15	16	17	18	19	20
CONNECTOR	DB4	DB5	DB6	DB7	CS1	CS2	RST	VEE	LEDA	LEDK

Specification:

- 1). Driving: Duty:1/64, Bias:1/6, VDD5.0V, VLCD:8.0V(Ref.)
- 2). Viewing direction: 12 O'clock
- 3). Display mode: STN/Negative/Transmissive/Blue
- 4). Operating temp.: -20°C-70°C
- 5). Storage temp.: -30°C-80°C
- 6). IC: SBN0064G(or compatible)
- 7). Backlight:Side,White ,
- 8). Dimensions with mark “\*” are important, with mark “()” are referenced
- 9). All the raw materials are RoHS compliant

<p>深圳秋田微电子有限公司 SHENZHEN AV-DISPLAY CO.,LTD.</p>	PART NO: 零件编号	CD 结构图	PROJECTION 三角法	MODULE NUMBER 模组型号	APPROVALS 签字	SCALE 比例	FTT 适应图面
	ABG128064A35-BLW-R		ABG128064A35-BLW-R	APP: CHK: DWN:	SHEET: 页次	1 OF 1	UNIT 单位 mm
GENERAL TOL: ±0.3				未注公差			