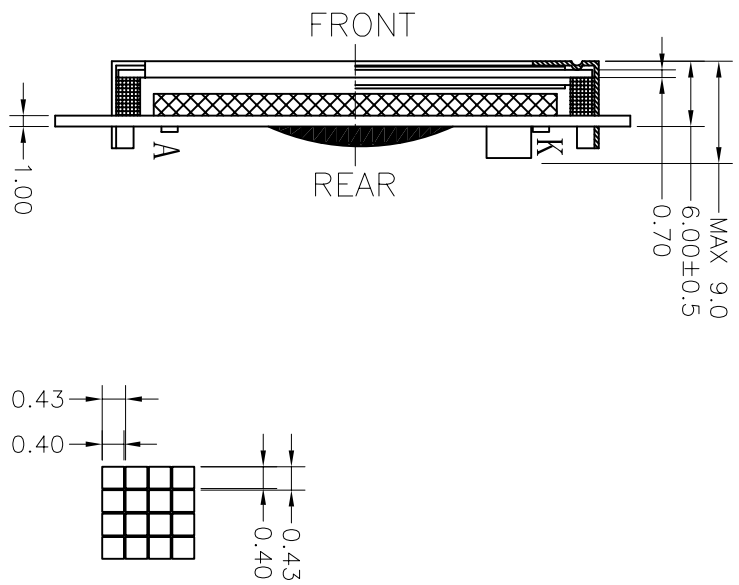
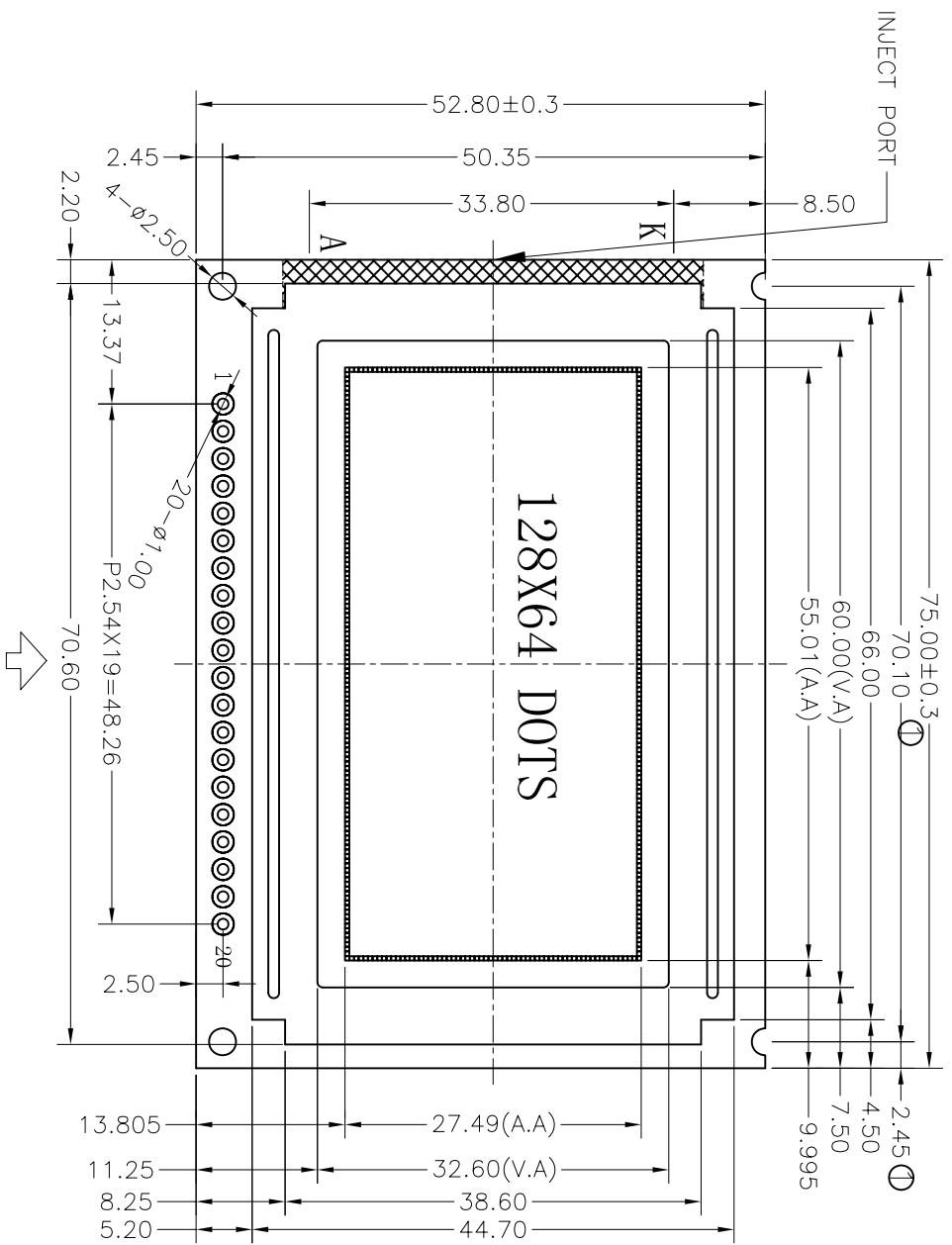


REV 版本	DESCRIPTION 描述	DATE 日期
A00	First issue	MAY-15-2006
A01	Change dimention and IC	AUG-07-2006



VIEWING DIRECTION

- Specification:
- 1). Driving: Duty:1/64, Bias:1/9, VDD:5.0V, VLCD:8.4V
 - 2). Viewing direction: 6 O'clock
 - 3). Display mode: FSTN/Negative/Transmissive
 - 4). Operating temp.: -20°C~+70°C
 - 5). Storage temp.: -30°C~+80°C
 - 6). Drive ic: S6B0108
 - 7). Backlight: Side, White
 - 8). Dimensions with mark "*" are important, with mark "()" are referenced
 - 9). Meet for RoHS

PIN	1	2	3	4	5	6	7	8	9	10
CONNECTOR	VDD	VSS	VLCD	DB0	DB1	DB2	DB3	DB4	DB5	DB6
PIN	11	12	13	14	15	16	17	18	19	20
CONNECTOR	DB7	/CS1	/CS2	RST	R/W	RS	E	VEE	LEDA	LEDK

深圳市秋田视佳实业有限公司
SHENZHEN AV DISPLAY CO., LTD.

PART NO: 零件编号	CD 结构图	PROJECTION 三角法	MODEL NUMBER 模组型号	SCALE 比例	FTT 适应图面
FAV-ABG128064H02-R-01			ABG128064H02-M1W-R	SHEET: 1 OF 1	UNIT 单位 mm
				GENERAL TOL: ±0.3	DATE
				未注公差	
				APPROVALS 签字	
				CHK:	
				DWN:	

DO NOT SCALE THIS DRAWING.