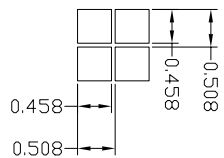
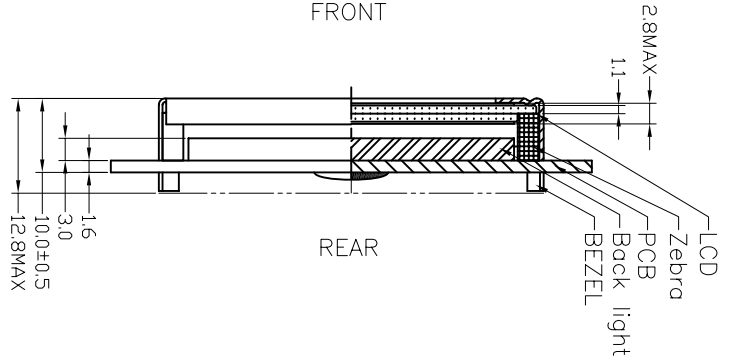
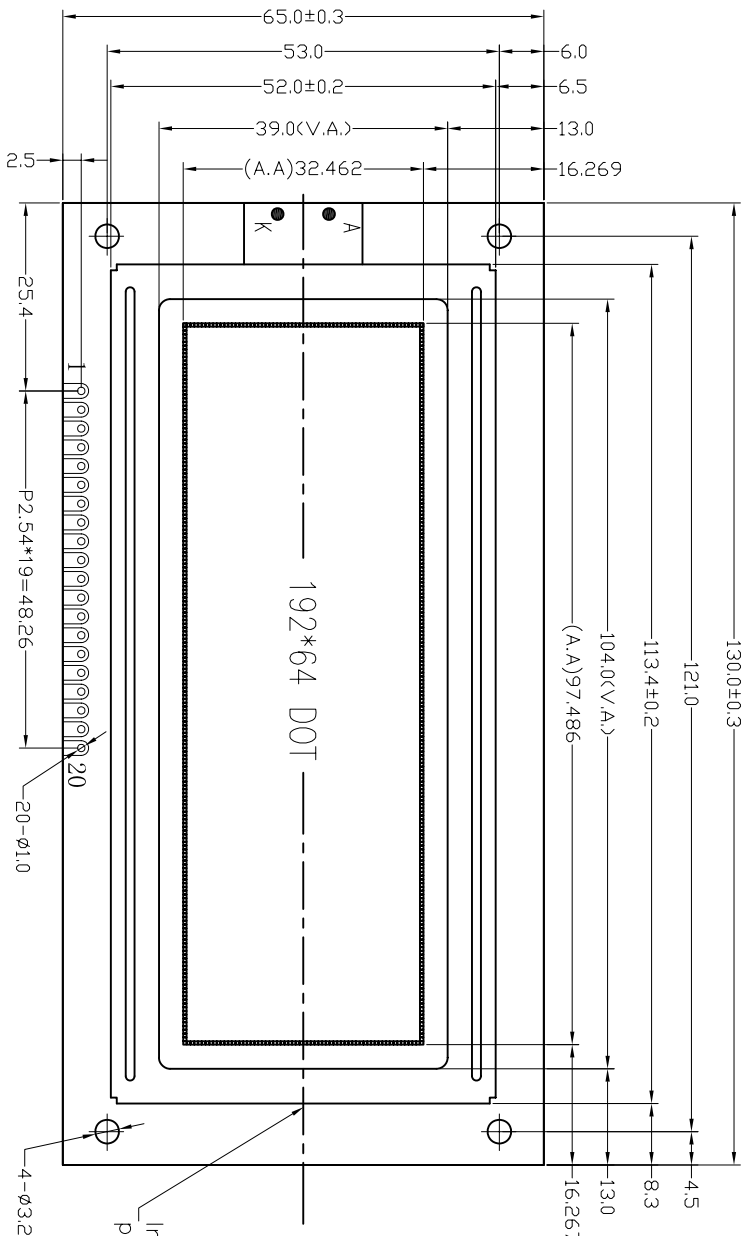


REV 版本	DESCRIPTION 描述	DATE 日期
A00	First issue	MAR-28-2006



DOT SIZE
SCALE 10:1

VIEWING DIRECTION

Specification:

- 1). Driving: Duty:1/64, Bias:1/9, VLCD:9.0V, VDD:5.0V
- 2). Viewing Direction: 6 O'clock
- 3). Display mode:STN/Positive/Transflective/YG
- 4). Operating temp.: -10°C~+60°C
- 5). Storage temp.: -20°C~+70°C
- 6). Backlight: Side YG
- 7). All materials meet for ROHS
- 8). Dimensions with mark "*" are important, with mark "()" are referenced

PIN	1	2	3	4	5	6	7	8	9	10
CONNECTION	LED+	VEE	CS3	CS2	RESET	CS1	DB7	DB6	DB5	DB4
PIN	11	12	13	14	15	16	17	18	19	20
CONNECTION	DB3	DB2	DB1	DB0	E	R/W	RS	VO	VDD	VSS



深圳秋田微电子有限公司
SHENZHEN AYOYUAN DISPLAY CO.,LTD.

PART NO: 零件编号	C/D结构图	PROJECTION 三角法	MODEL NUMBER 模组型号	SCALE 比例	FIT 适应图面
ABG192064C02-YHY-R			ABG192064C02-YHY-R	SHEET: 页次	1 OF 1
				GENERAL TOL: 公差	±0.3
				APPROVALS 签字	DATE 日期
				CHK: DWN:	

DO NOT SCALE THIS DRAWING.