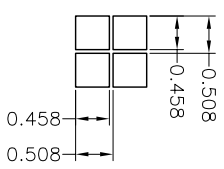
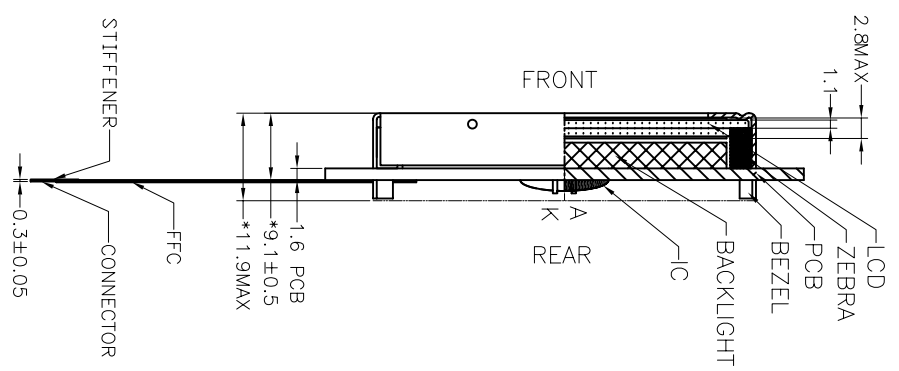
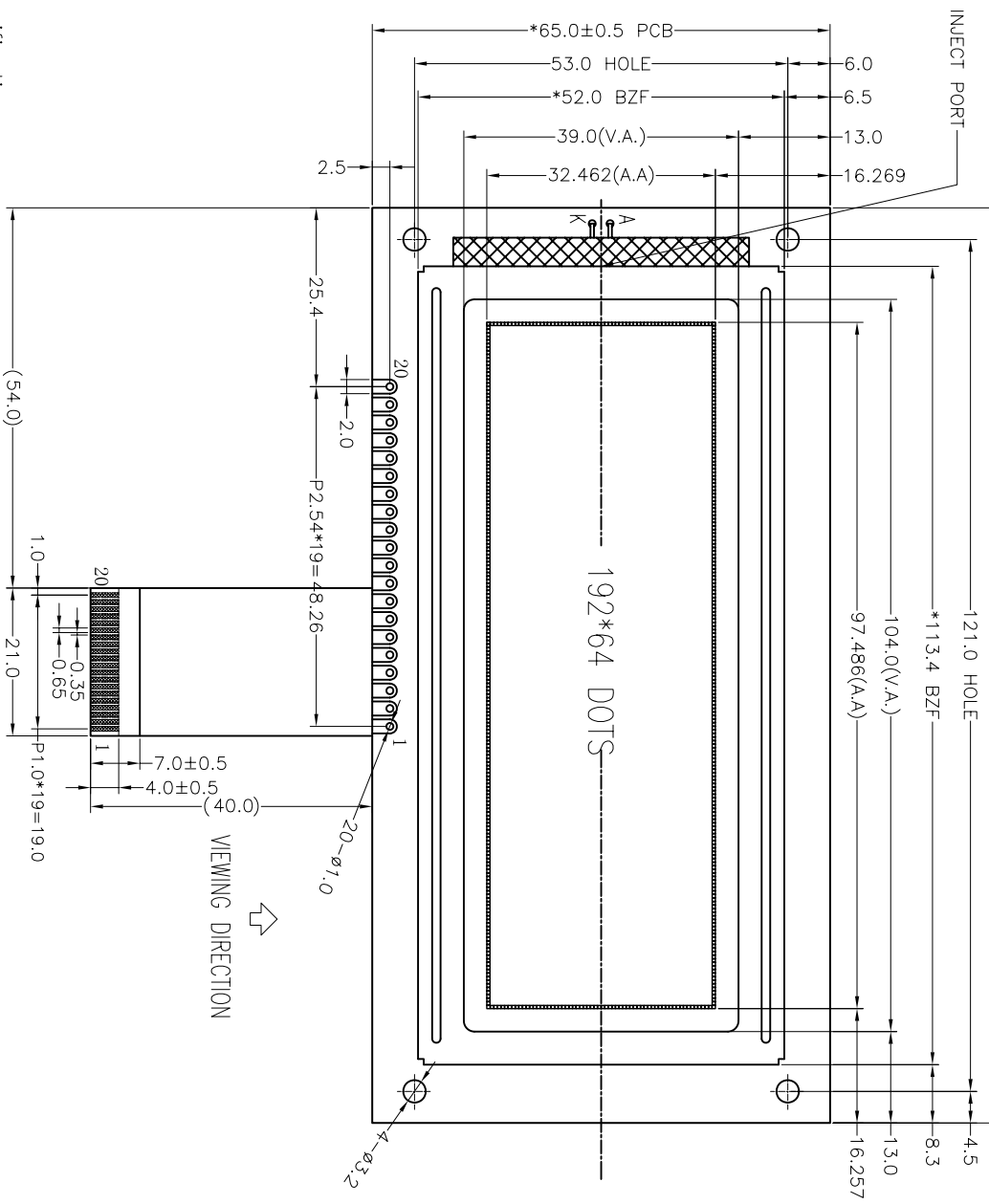


REV 版本	DESCRIPTION 描述	DATE 日期
A	First issue	JAN-11-2008




DOT SIZE
SCALE 10:1



PIN	1	2	3	4	5	6	7	8	9	10
CONNECTION	VSS	VDD	VO	R/S	R/W	E	DB0	DB1	DB2	DB3
PIN	11	12	13	14	15	16	17	18	19	20
CONNECTION	DB4	DB5	DB6	DB7	/CS1	/RST	/CS2	/CS3	VOUT	BIA

Specification:

- 1). Driving: Duty:1/64, Bias:1/9, VLCD:9.0V, VDD:5.0V
- 2). Viewing Direction: 6 O'clock
- 3). Display mode:FSTN/Positive/Transmissive
- 4). Operating temp.: -20°C~+70°C
Storage temp.: -30°C~+80°C
- 5). IC: SBN0064G(or compatible)
- 6). Backlight: Side, White
- 7). Dimensions with mark “()” are important, with mark “()” are referenced
- 8). All the raw materials are RoHS compliant.



深圳秋田电子有限公司
SHENZHEN AV-DISPLAY CO.,LTD.

PART NO: 零件编号	C/D结构图	PROJECTION 三角法	MODEL NUMBER 模组型号	APPROVALS 签字	SCALE 比例	UNIT 单位
ABG192064C05-FIW-R			ABG192064C05-FIW-R	DATE 日期	FTT 适应图面	mm
GENERAL TOL: ±0.3				SHEET: 1 OF 1		
APP:		CHK:		DWN:		

DO NOT SCALE THIS DRAWING.