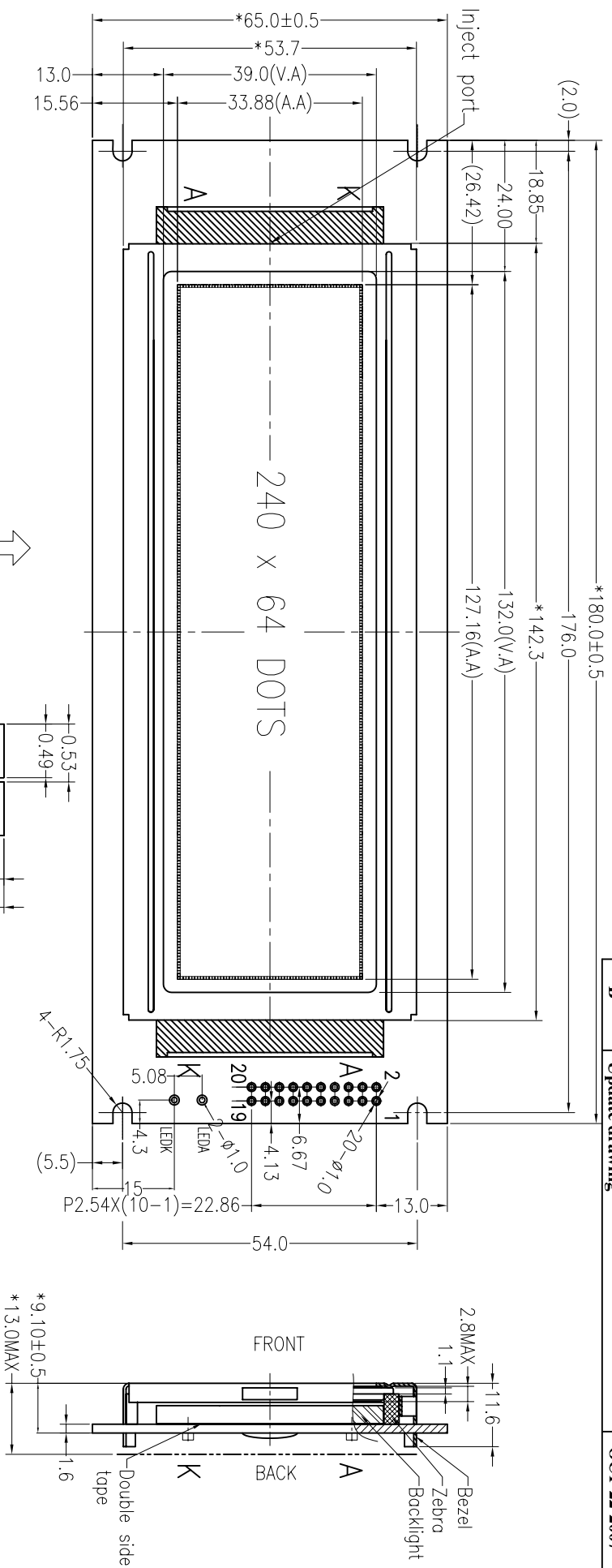
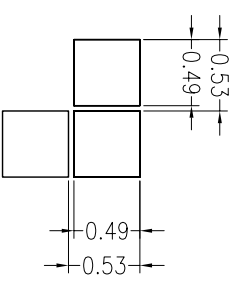


REV 版本	DESCRIPTION 描述	DATE 日期
A	First issue	JUN-07-2006
B	Update drawing	OCT-22-2007



VIEWING DIRECTION



PIN	1	2	3	4	5	6	7	8	9	10
CONNECTION	FG	VSS	VDD	VO	/WR	/RD	/CE	C/D	NC	/RESET
PIN	11	12	13	14	15	16	17	18	19	20
CONNECTION	DB0	DB1	DB2	DB3	DB4	DB5	DB6	DB7	FS	NC

- Specification:
- 1). Driving: Duty:1/64,Bias:1/9 VLCD:12.0V, VDD:5.0V
  - 2). Viewing angle: 6 O'clock
  - 3). Display mode:FTN/Negative/Transmissive
  - 4). Operating temp.: -20°C~+70°C  
Storage temp.: -30°C~+80°C
  - 5). IC: SAP1024B
  - 6). Backlight: Side, White
  - 7). Dimensions with mark "\*" are important, with mark "(") are referenced
  - 8). All the raw materials are RoHS compliant.

**深圳秋田微电子有限公司**  
SHENZHEN AV-DISPLAY CO.,LTD.

PART NO: 零件编号	C/D结构图	PROJECTION 三角法	MODEL NUMBER 模组型号	SCALE 比例	FTT 适应图面
ABG240064B00-MIW-R			ABG240064B00-MIW-R	SHEET: 页次	1 OF 1
				GENERAL TOL: 公差	±0.3
				APPROVALS 签字	DATE 日期
				APP: CHK: DWN:	

DO NOT SCALE THIS DRAWING.