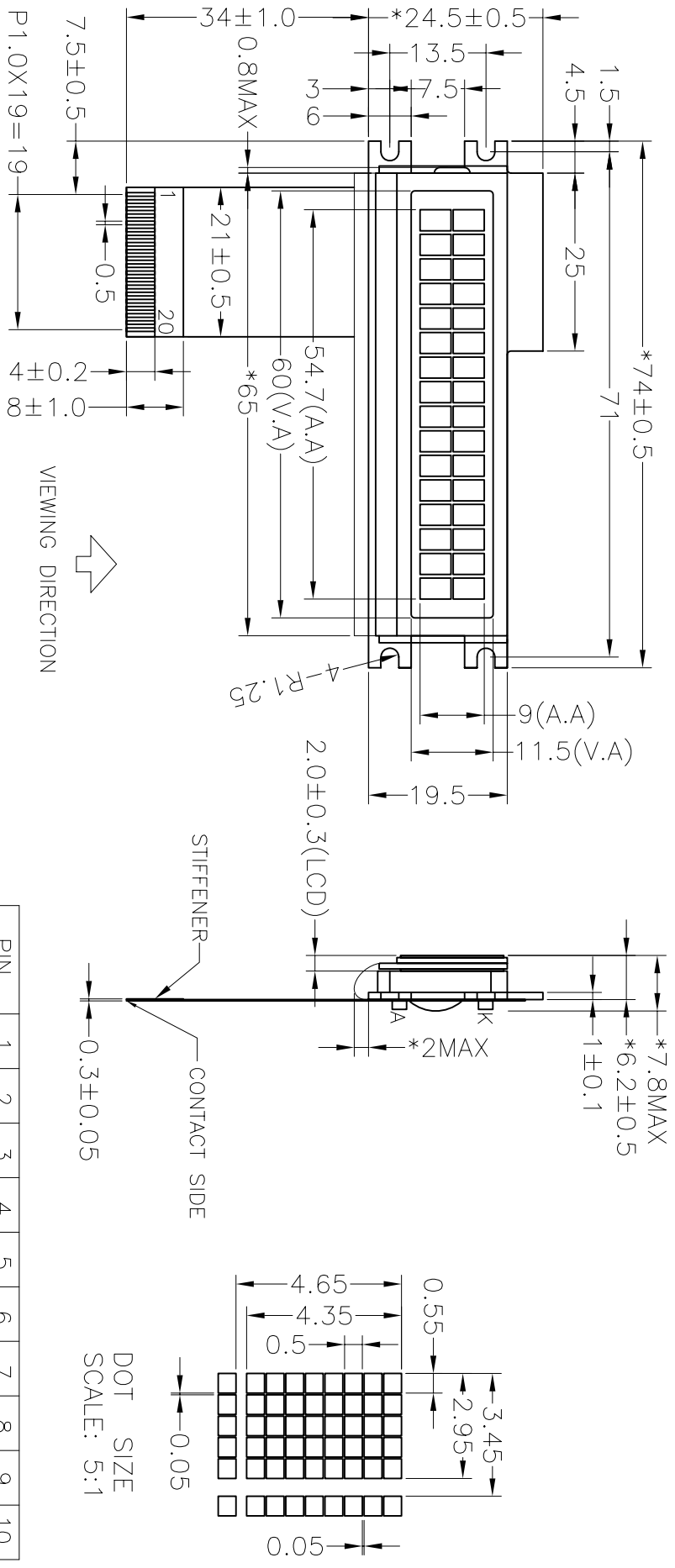



REV 版本	DESCRIPTION 描述	DATE 日期
A	Change Model AMIC1602JR-B-GAWEDY-SP	JAN-28-2008





PIN	1	2	3	4	5	6	7	8	9	10
CONNECTOR	NC	NC	VSS	VDD	V0	RS	RW	E	DB0	DB1
PIN	11	12	13	14	15	16	17	18	19	20
CONNECTOR	DB2	DB3	DB4	DB5	DB6	DB7	LEDA	LEDK	VEE	NC

Specification:

- 1). Driving: Duty:1/16, Bias:1/5, VDD:5.0V, VLCD:4.5V
- 2). Viewing direction: 6 O'clock
- 3). Display mode: STN/Positive/Transflective/Grey
- 4). Operating temp.: -20°C~+70°C
Storage temp.: -30°C~+80°C
- 5). IC: SPLC780D-001B-C (Or Compatible)
- 6). Backlight:Edge Y/G
- 7). Dimensions with mark "*" are important, with mark "(") are referenced
- 8). All the raw materials are compliant.



深圳秋田电子有限公司
SHENZHEN AV-DISPLAY CO.,LTD.

PART NO: 零件编号	C/D 结构图	PROJECTION 三角法	MODEL NUMBER 模组型号	SCALE 比例	FTT 适应图面
ABC016002J00-GHY-R			ABC016002J00-GHY-R	SHEET: 页次	1 OF 1
				GENERAL TOL: 公差	±0.3
				APPR: 签字	
				CHK: 日期	
				DWN: 日期	

DO NOT SCALE THIS DRAWING.