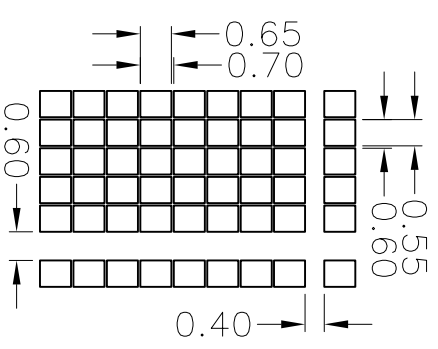
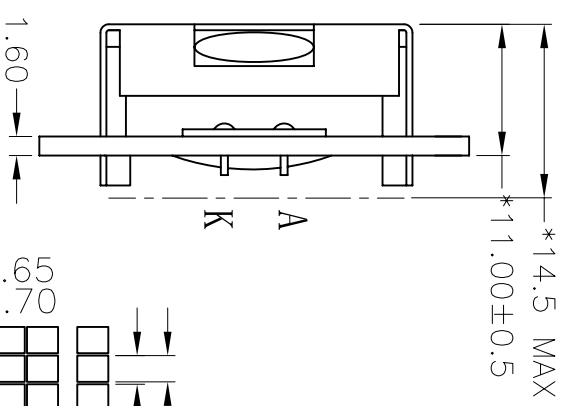
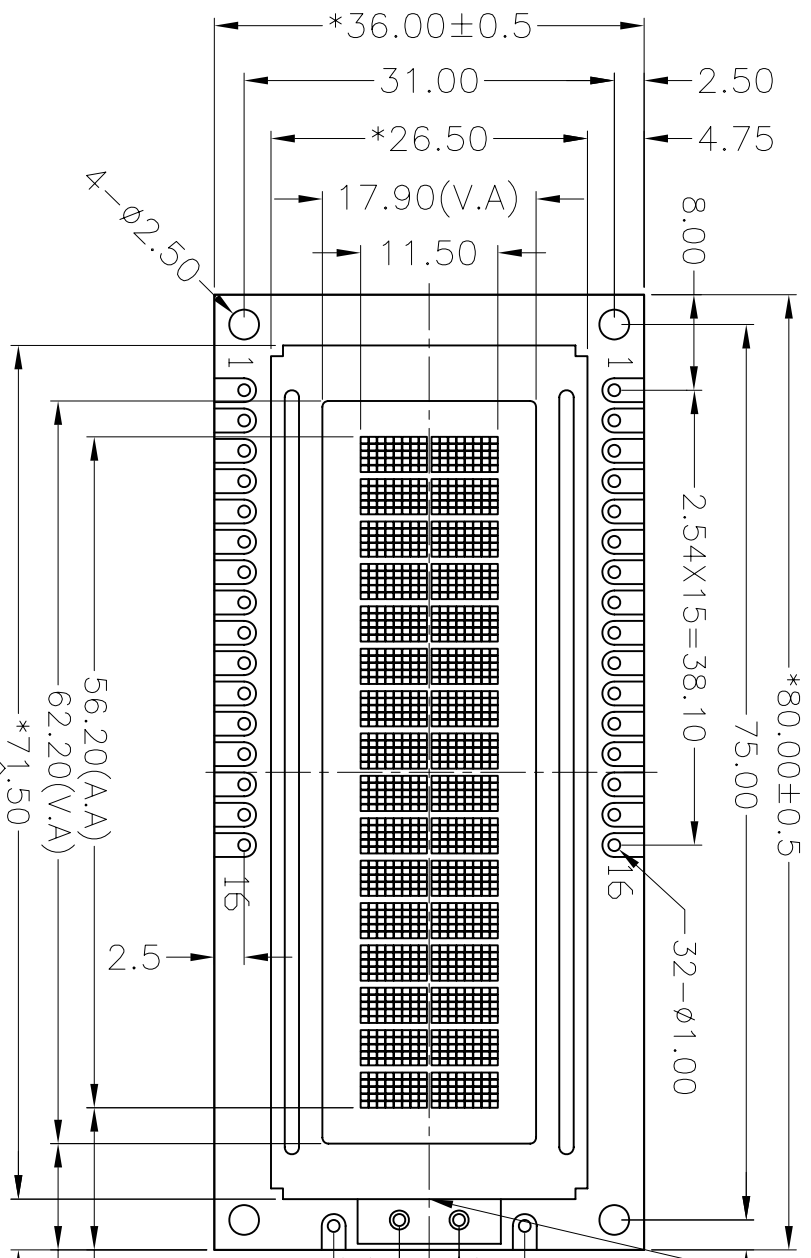


REV 版本	DESCRIPTION 描述	DATE 日期
A	First issue	MAR-24-2006
B	RoHS ①	MAY-06-2006
C	Change IC ②	MAY-13-2006
D	Change LOGO ③	NOV-27-2007



DOT SIZE
SCALE 4:1

VIEWING DIRECTION

Specification:

- 1). Driving: Duty:1/16, Bias:1/5, VLCD:4.2V, VDD:5.0V
- 2). Viewing direction: 6 O'clock
- 3). Display mode: STN/Positive/Transflective/Grey
- 4). Operating temp.: -20°C~+70°C
- 5). Storage temp.: -30°C~+80°C
- 6). IC: SPLC780D-001B-C ②
- 7). Backlight: Bottom, Yellow-Green
- 8). Dimensions with mark "*" are important, with mark "()" are referenced
- 9). All the raw materials are RoHS compliant. ③

PIN	1	2	3	4	5	6	7	8	9	10	11	12	13	14	15	16
CONNECTOR	VSS	VDD	V0	RS	R/W	E	D0	D1	D2	D3	D4	D5	D6	D7	LED	LEDK



深圳秋田微电子有限公司
SHENZHEN AV-DISPLAY CO.,LTD.

PART NO: 零件编号	C/D	结构图	PROJECTION 三角法	MODEL NUMBER 模组型号	APPROVALS 签字	UNIT 单位 mm
ABC016002A07-CHY-R				ABC016002A07-CHY-R	CHK:	DATE
					DWN:	

SCALE: FIT 适应图面

SHEET: 1 OF 1

GENERAL TOL: ±0.3

未注公差

DO NOT SCALE THIS DRAWING.