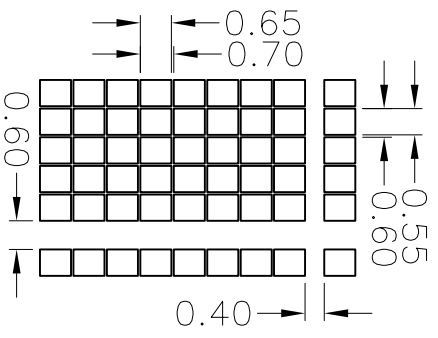
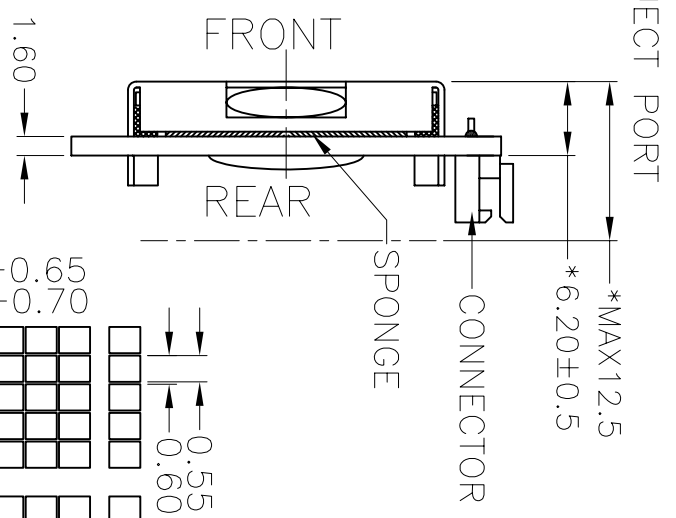
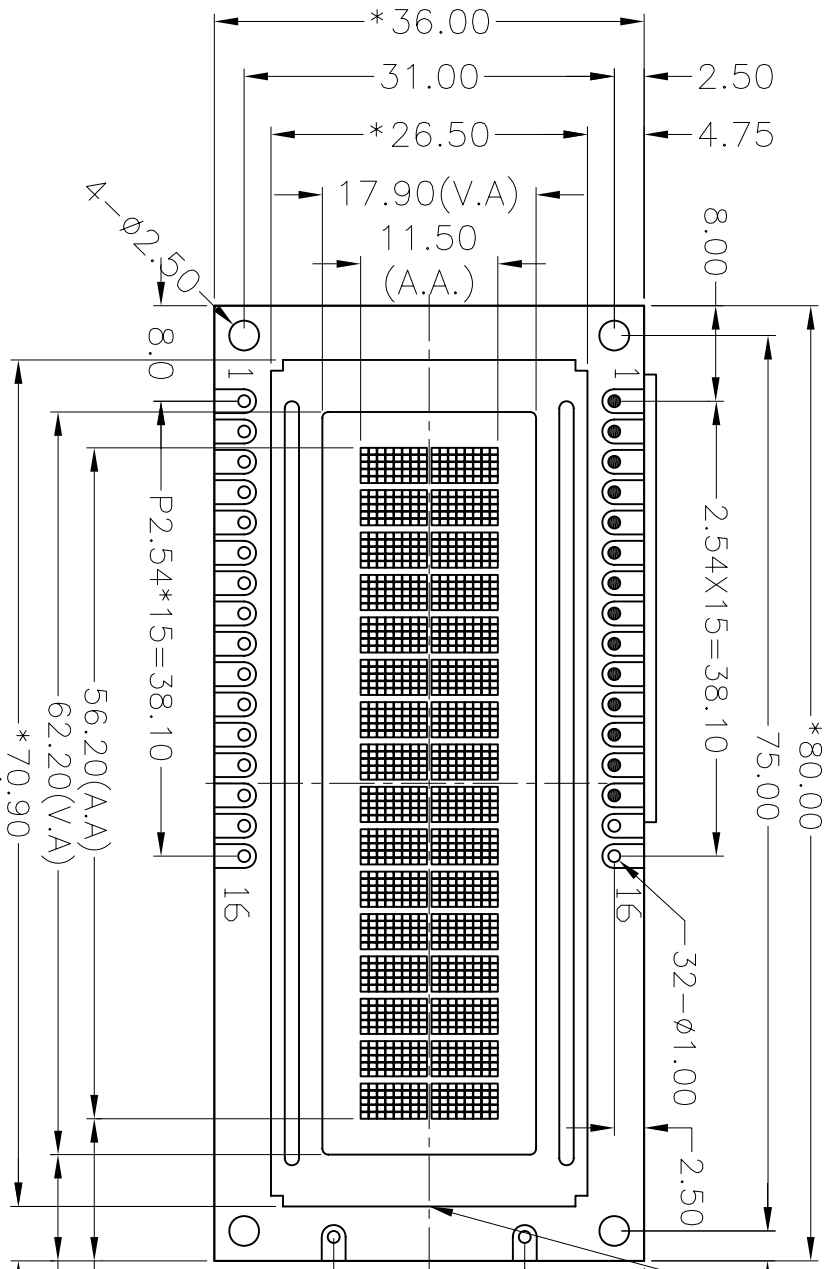


REV 版本	DESCRIPTION 描述	DATE 日期
A00	First issue	Apr-10-2007




VIEWING DIRECTION


DOT SIZE
SCALE 4:1

- Specification:
- 1). Driving: Duty:1/16, Bias:1/5, V_{LC}D:4.2V(Ref.), V_{DD}:5.0V
 - 2). Viewing direction: 6 O'clock
 - 3). Display mode: STN/Positive/Transflective/Grey
 - 4). Operating temp.: -20°C~+70iãC
 - 5). Storage temp.: -30°C~+80iãC
 - 6). Drive ic: SPLC780D-001B-C(Or compatibleC)
 - 7). Backlight: None
 - 8). Dimensions with mark "*" are important, with mark "()" are referenced
 - 9). All the raw materials are RoHS compliant.

PIN	1	2	3	4	5	6	7	8	9	10	11	12	13	14	15	16
CONNECTOR	VSS	VDD	V0	RS	R/W	E	D0	D1	D2	D3	D4	D5	D6	D7	NC	NC



深圳市秋田视佳实业有限公司
SHENZHEN AV-DISPLAY CO.,LTD.

PART NO: 零件编号	C/D 结构图	PROJECTION 三角法	MODEL NUMBER 模组型号	APPROVALS 签字	UNIT 单位 mm
FAV-ABC016002A12-R-00		ARC016002A12-GH-R	APP: CHK:	DWN:	DATE 日期

SCALE: FIT 适应图面
SHEET: 1 OF 1
GENERAL TOL: ±0.3
未注公差
DO NOT SCALE THIS DRAWING.