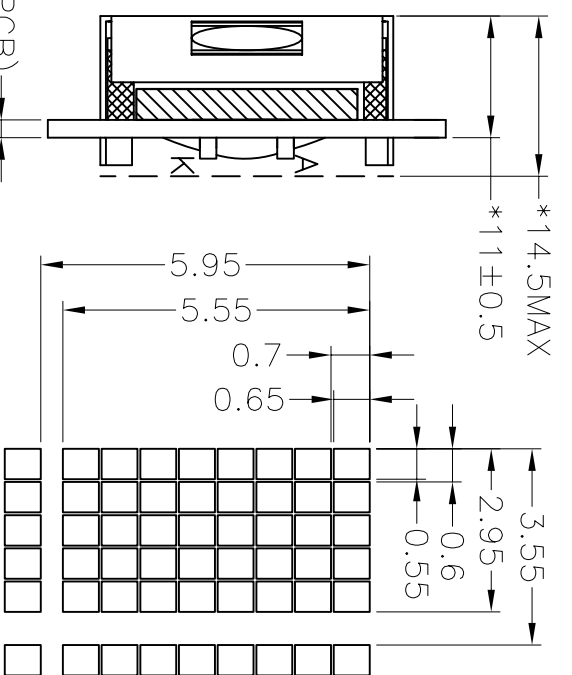
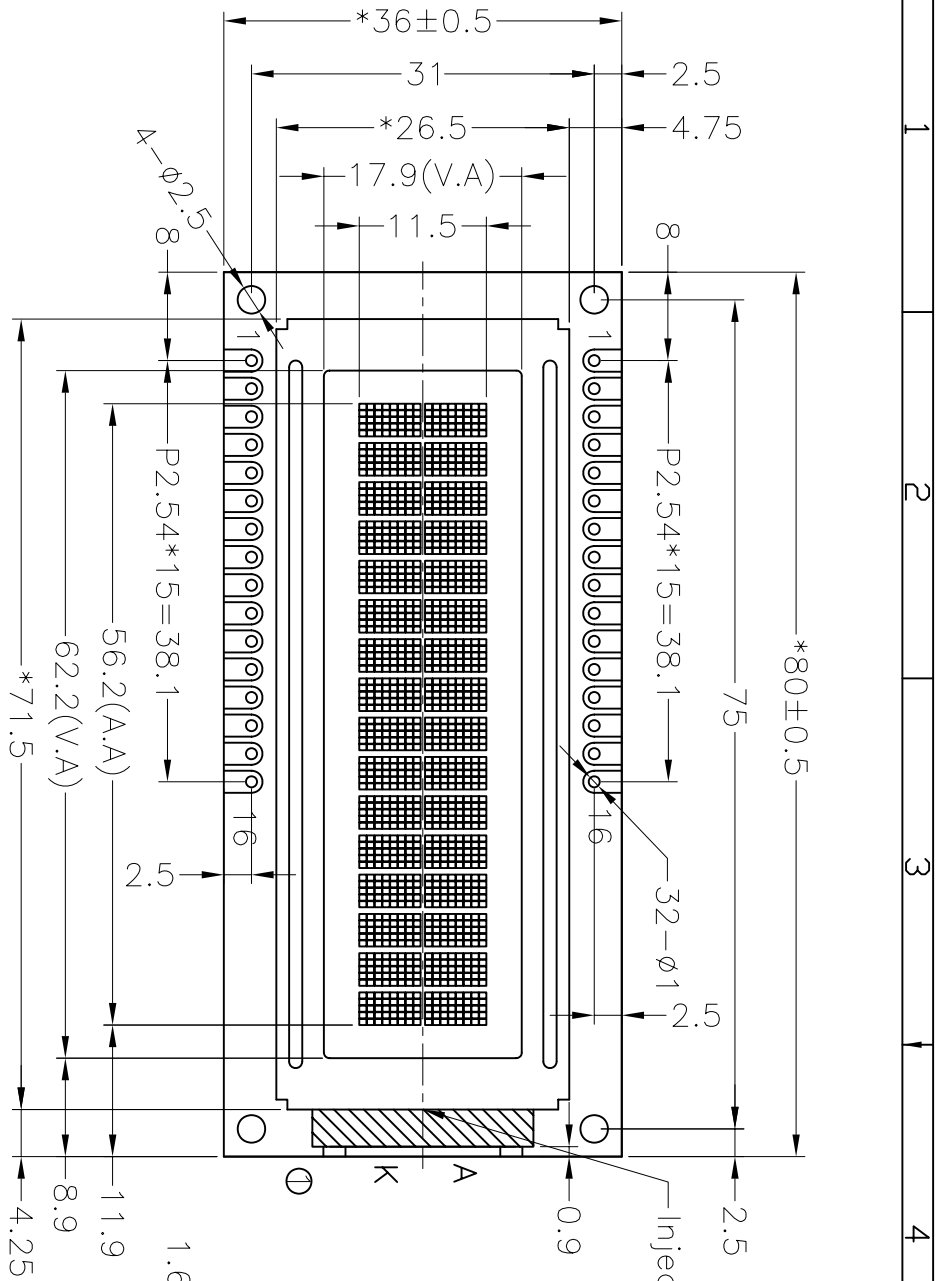


REV 版本	DESCRIPTION 描述	DATE 日期
A00	First issue	Nov-10-2006
A01	Change LED $\text{\textcircled{1}}$	Nov-25-2006
C	Update	Nov-28-2007



DOTS SIZE
SCALE:5/1

PIN	1	2	3	4	5	6	7	8
CONNECTOR	VSS	VDD	V0	RS	R/W	E	D0	D1
PIN	9	10	11	12	13	14	15	16
CONNECTOR	D2	D3	D4	D5	D6	D7	LEDA	LEDK

VIEWING DIRECTION

Specification:

- 1). Driving: Duty:1/16, Bias:1/5, VLCD:4.2V, VDD:5.0V
- 2). Viewing direction: 6 O'clock
- 3). Display mode: STN/Positive/Transflective/Grey
- 4). Operating temp.: -20°C~+70°C
Storage temp.: -30°C~+80°C
- 5). IC: SPLC780D-001B-C(or compatible)
- 6). Backlight: Edge White(2PCS SMD 4.0V 30mA) $\text{\textcircled{1}}$
- 7). Dimensions with mark "*" are important,
with mark " $\text{\textcircled{1}}$ " are referenced
- 8). All the raw materials are RoHS compliant

<p>深圳秋田微电子有限公司 SHENZHEN AV-DISPLAY CO.,LTD.</p>		SCALE: FTT 适应图面	
		比例	比例
PART NO: C/D 结构图		PROTECTION 三角法	
MODEL NUMBER 模组型号		APPROVALS 签字	
ABC016002A10-GHW-R		ABC016002A10-GHW-R	
DWG: DWG:		DATE 日期	