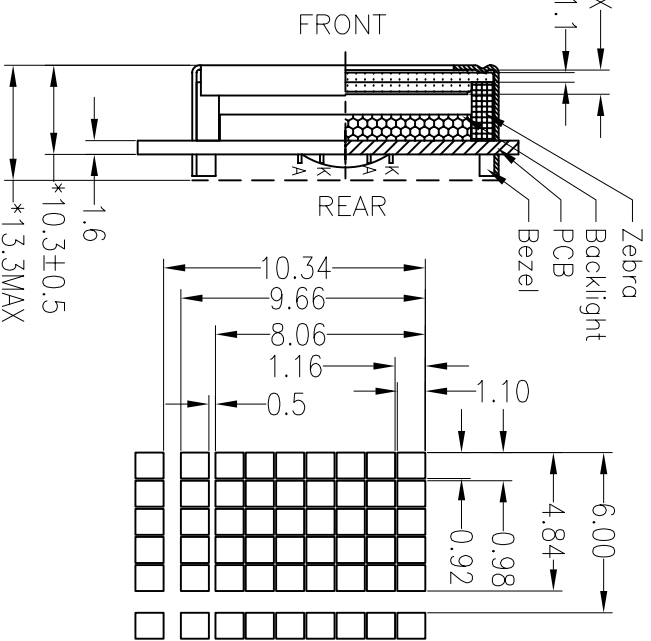
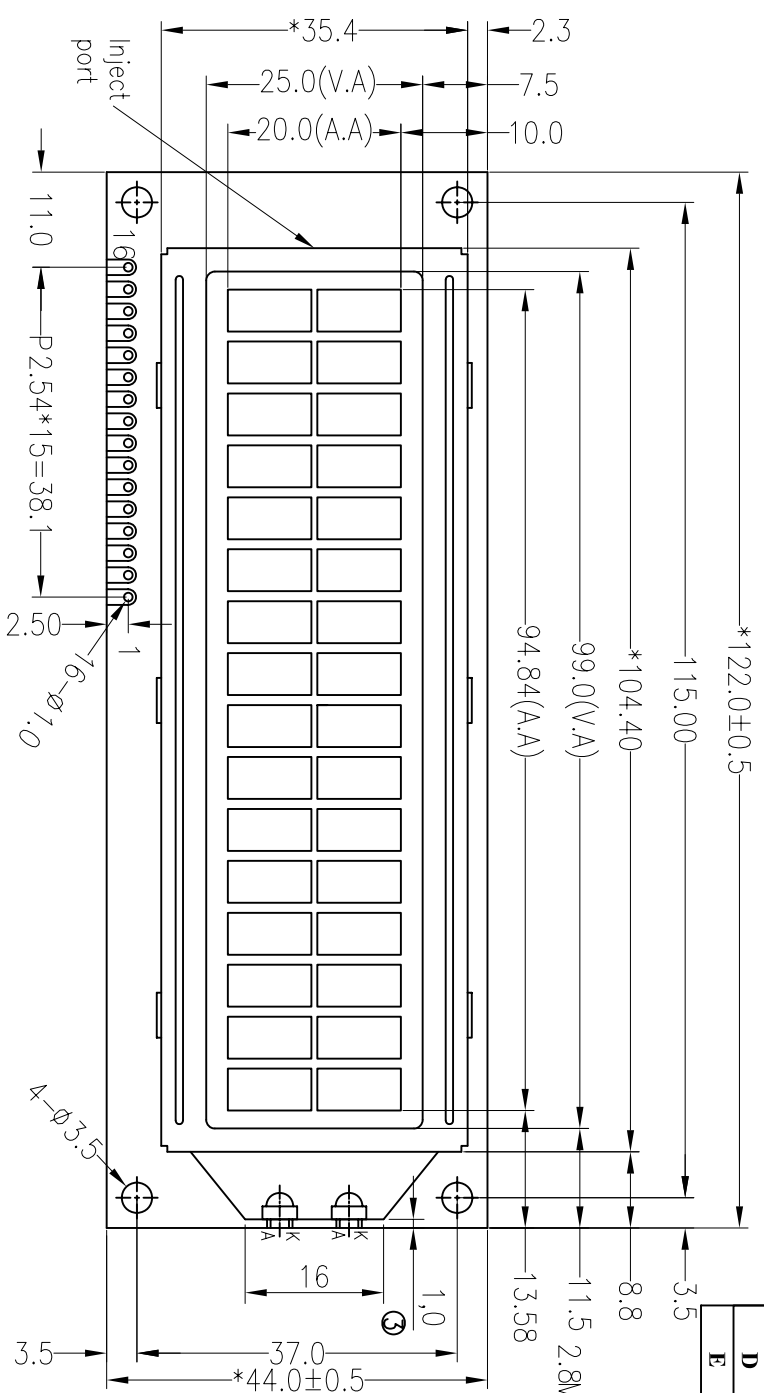



REV 版本	DESCRIPTION 描述	DATE 日期
A	First issue	APR-08-2005
B	Change Viewing Direction	NOV-04-2005
C	RoHS ②	OCT-19-2006
D	Change backlight ③	NOV-14-2006
E	Change LOGO ④	NOV-30-2007






Specification:

- 1). Driving: Duty:1/16, Bias:1/5, VLCD:4.3V, VDD:5.0V
- 2). Viewing Direction: 6 O'clock
- 3). Display mode:STN/Neagitive/Transmissive/Blue
- 4). Operating temp.: -20°C~+70°C
- 5). Storage temp.: -30°C~+80°C
- 6). IC: SPLC780D-001B-C (or compatible)
- 7). Backlight: Side, White
- 8). Dimensions with mark “*” are important, with mark “()” are referenced
- 8). All the raw materials are RoHS compliant ②

PIN	1	2	3	4	5	6	7	8
CONNECTION	LEDK	LEDA	VSS	VDD	VO	RS	R/W	E
PIN	9	10	11	12	13	14	15	16
CONNECTION	DB0	DB1	DB2	DB3	DB4	DB5	DB6	DB7



深圳秋田微电子有限公司
SHENZHEN A.V.DISPLAY CO.,LTD.

PART NO: 零件编号	CD 结构图	PROJECTION 三角法	MODEL NUMBER 模组型号	SCALE 比例	FTT 适应图面
ABC016002C02-BIW-R			ABC016002C02-BIW-R	SHEET: 页次	1 OF 1
				GENERAL TOL: 公差	±0.3
				APPROVALS 签字	DATE 日期
				CHK: 日期	
				DWN: 日期	