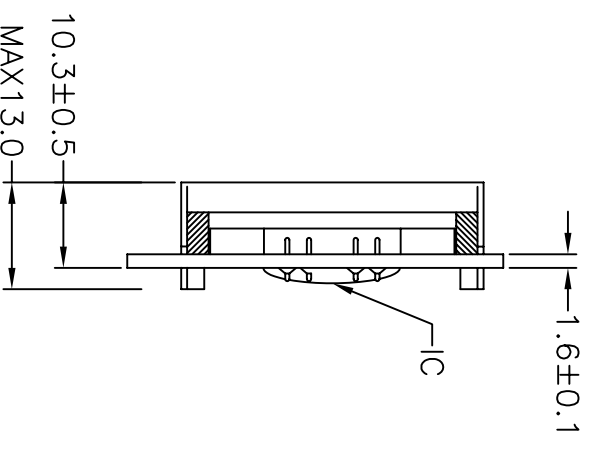
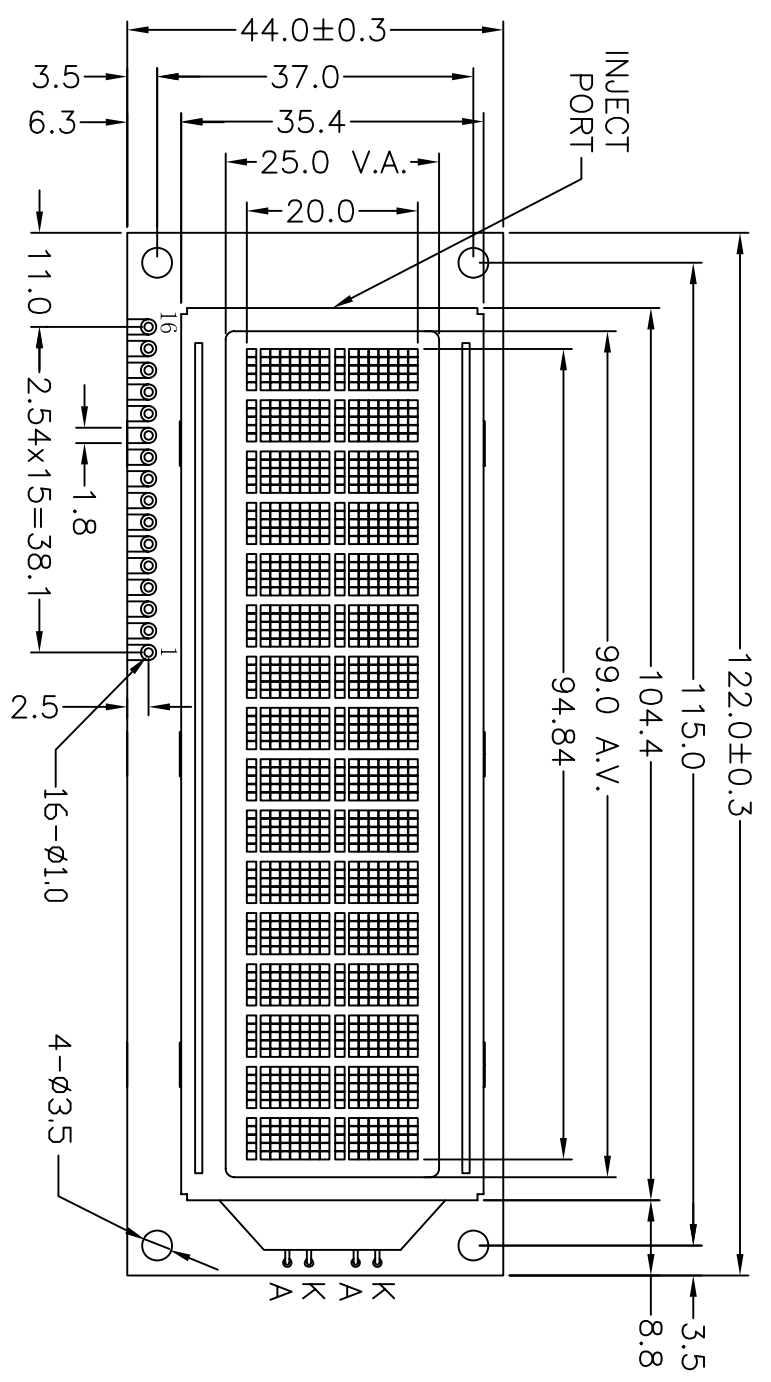


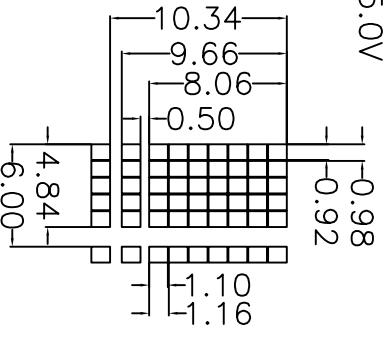
REV 版本	DESCRIPTION 描述	DATE 日期
A00	First issue	MAR-28-2006

VIEWING DIRECTION





Specification:

- 1). Driving: Duty:1/16, Bias:1/5, VLCD:4.5V, VDD:5.0V
- 2). Viewing angle: 12 0'clock
- 3). Display mode: STN/Positive/Transflective/Grey
- 4). Operating temp.: 0°C~+50°C
Storage temp.: -10°C~+60°C
- 5). IC: SPLC780C-03
- 6). Backlight: Edge White
- 7). Dimensions with mark "*" are important, with mark "()" are referenced



PIN	1	2	3	4	5	6	7	8
CONNECTION	LEDK	LEDA	VSS	VDD	V0	RS	R/W	E
PIN	9	10	11	12	13	14	15	16
CONNECTION	DB0	DB1	DB2	DB3	DB4	DB5	DB6	DB7

 SHENZHEN AV-DISPLAY CO., LTD	深圳秋田视佳实业有限公司	SCALE: FIT 适应图面
	PART NO: C/D结构图 零件编号	PROJECTION 三角法 MODEL NUMBER 模组型号 ABC016002C17-GEV-R
FAV-ABC016002C17-R-00		APPROVALS: APP: _____ CHK: _____ DWN: _____
UNIT 单位: mm DATE 日期: _____		