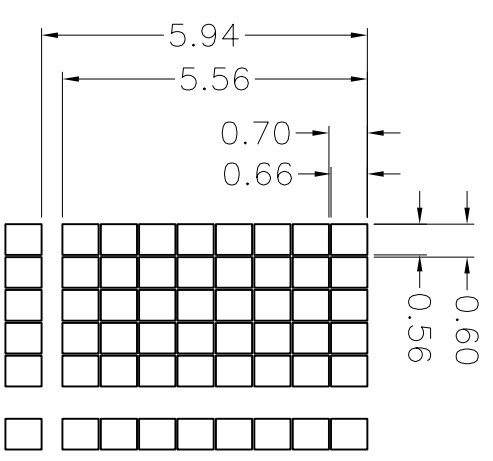
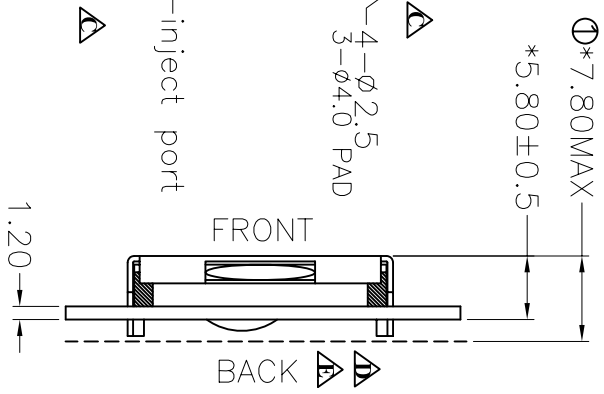
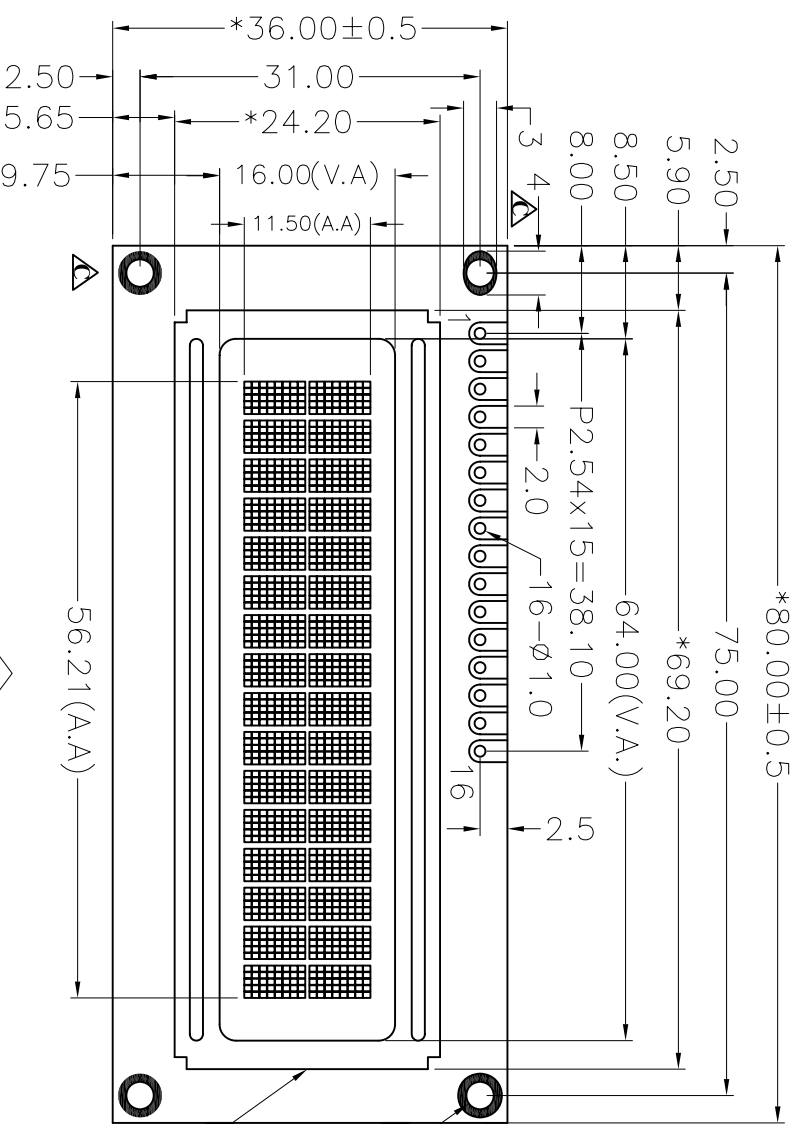



REV 版本	DESCRIPTION 描述	DATE 日期
A	First issue	APR-02-2007
B	Change dimension ①	AUG-27-2007
C	Change PCB and IC	SEP-22-2007
D	Add sponge	NOV-06-2007
E	Remove sponge	Feb-20-2008



Specification:

- 1). Driving: Duty: 1/16, Bias:1/5, VLCD:4.5V, VDD:5.0V
- 2). Viewing angle: 6 0'clock
- 3). Display mode: STN/Positive/Reflective/Gray
- 4). Operating temp.: -20°C~+70°C  
Storage temp.: -30°C~+80°C
- 5). IC: SPLC780D-001B-C(or compatible)  $\Delta$
- 6). Backlight: None
- 7). Dimensions with mark "\*" are important, with mark "()" are referenced
- 8). All the raw materials are RoHS compliant.

PIN	1	2	3	4	5	6	7	8	9	10	11	12	13	14	15	16
CONNECTION	VSS	VDD	V0	RS	R/W	E	DB0	DB1	DB2	DB3	DB4	DB5	DB6	DB7	NC	NC



**深圳秋田微电子有限公司**  
SHENZHEN AV-DISPLAY CO.,LTD.

PART NO: 零件编号	C/D结构图	PROJECTION 三角法	MODEL NUMBER 模组型号	SCALE 比例	FTT 适应图面
ABC016002E24-GGN-R			ABC016002E24-GGN-R	SHEET: 1 OF 1	UNIT 单位 mm
				GENERAL TOL: ±0.3	DATE 日期
				APPROVALS 签字	
				CHK:	
				DWN:	

DO NOT SCALE THIS DRAWING.