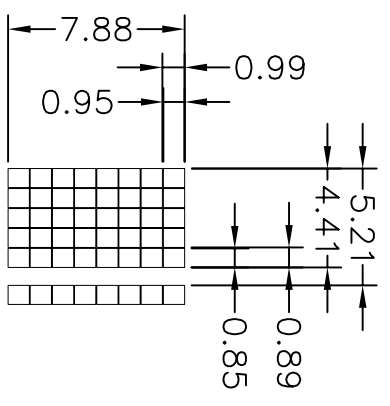
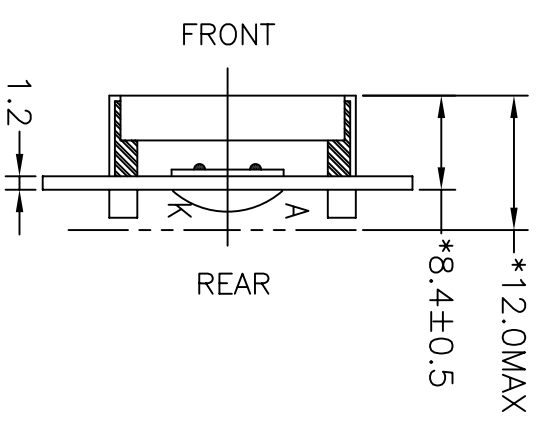
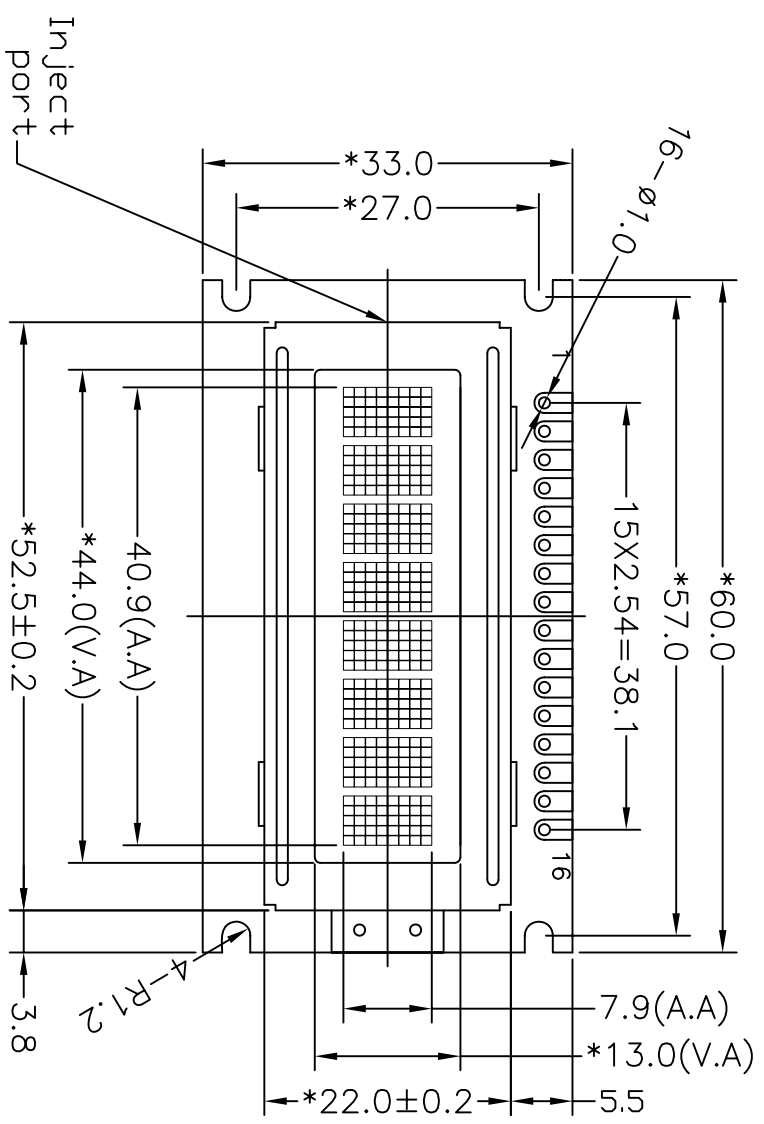


REV 版本	DESCRIPTION 描述	DATE 日期
A00	First issue	MAR-21-2007



DOTS SIZE
SCALE 2:1

VIEWING DIRECTION

- Specification:
- 1). Driving: Duty:1/8, Bias:1/4, Vlcd:3.8V, Vdd:5.0V
 - 2). Viewing direction: 6 o'clock
 - 3). Display mode: STN/Positive/Transflective/YG
 - 4). Operating temp.: -20°C~+70°C
Storage temp.: -30°C~+80°C
 - 5). IC: S6A0069X01
 - 6). Backlight type: Bottom Yellow-Green
 - 7). Dimensions with mark "*" are important, with mark "()" are referenced
 - 8). All the raw materials are RoHS compliant

PIN	1	2	3	4	5	6	7	8
CONNECTION	VSS	VDD	V0	RS	R/W	E	DB0	DB1
PIN	9	10	11	12	13	14	15	16
CONNECTION	DB2	DB3	DB4	DB5	DB6	DB7	VDD	VSS

深圳市秋田视佳实业有限公司
SHENZHEN AV-DISPLAY CO.,LTD.

SCALE: FIT 适应图面
比例: 1 OF 1
SHEET: 1 OF 1
页次: 1 OF 1
GENERAL TOL: ±0.3
公差: ±0.3
UNIT 单位: mm
DATE 日期: _____

PART NO: 零件编号	CD 结构图	PROJECTION 三角法	MODEL NUMBER 模组型号	APPROVALS 签字	DATE 日期
FAV-ABC008001A05-R-00			ABC008001A05-YH-R	CHK: DWN:	