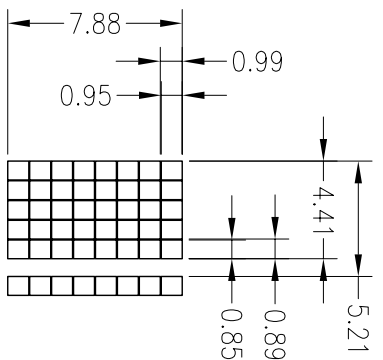
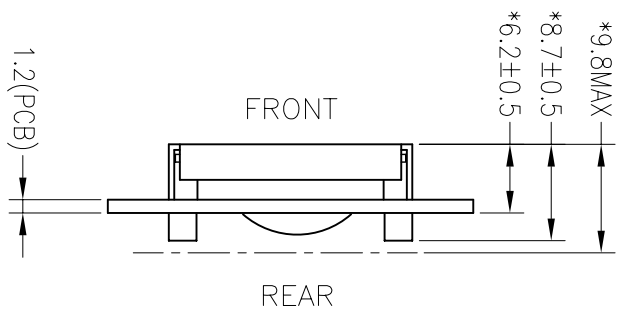
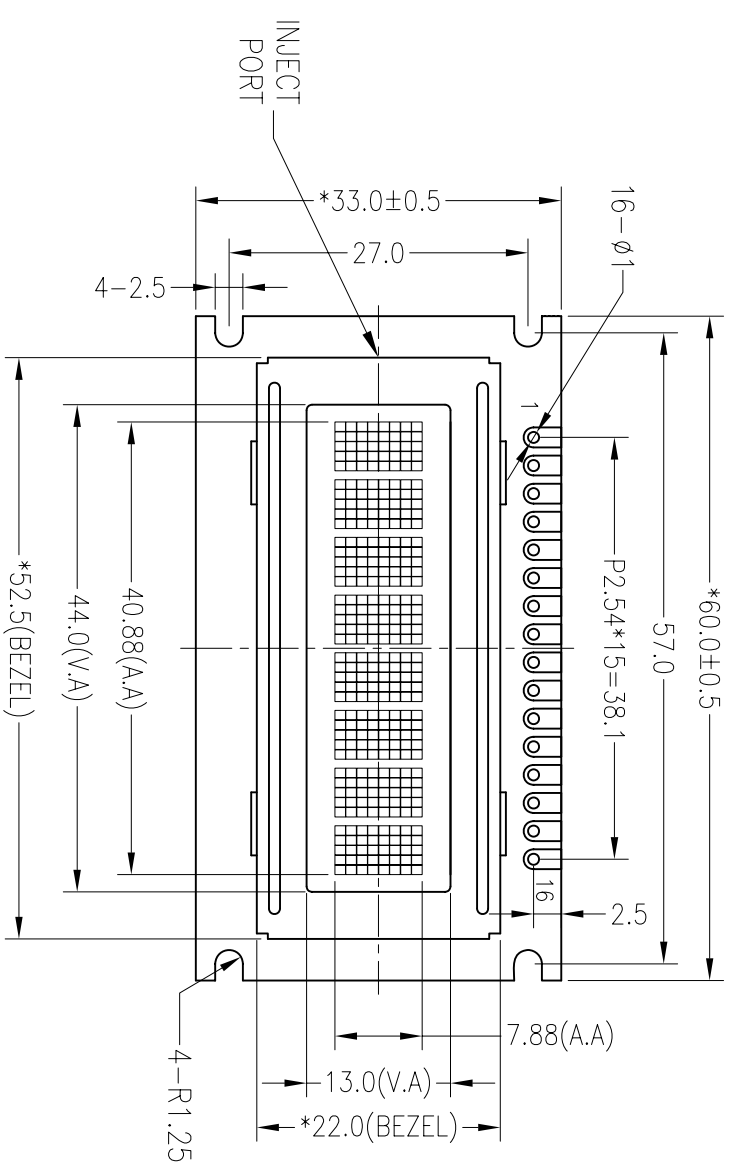


REV 版本	DESCRIPTION 描述	DATE 日期
A	First issue	SEP-05-2007
B	Change VLCD	Nov-21-2007
C	Change VLCD	Jan-07-2008




DOTS DETAIL  
SCALE: 2/1


PIN	1	2	3	4	5	6	7	8
CONNECTION	VSS	VDD	V0	RS	R/W	E	DB0	DB1
PIN	9	10	11	12	13	14	15	16
CONNECTION	DB2	DB3	DB4	DB5	DB6	DB7	VDD	VSS

Specification:

- 1). Driving: Duty:1/8,Bias:1/4, VLCD:3.1V(Ref), VDD:5.0V
- 2). Viewing angle: 6 O'clock
- 3). Display mode:TN/Positive/Reflective/Gray
- 4). Operating temp.: -20°C~+70°C  
Storage temp.: -30°C~+80°C
- 5). IC: SPLC780D-001B-C(Or Compatible)
- 6). Backlight: None
- 7). Dimensions with mark "\*" are important, with mark "(") are referenced
- 8). All the raw materials are RoHS compliant



**深圳秋田微电子有限公司**  
SHENZHEN AV-DISPLAY CO.,LTD.

PART NO: 零件编号	C/D 结构图	PROJECTION 三角法	MODEL NUMBER 模组型号	APPROVALS 签字	UNIT 单位 mm
ABC008001A06-TGN-R			ABC008001A06-TGN-R	APP: CHK: DWN:	DATE 日期
SCALE: FIT 适应图面			SHEET: 1 OF 1		DATE: Jan-07-2008
GENERAL TOL: ±0.3			未注公差		DATE: Jan-07-2008
DO NOT SCALE THIS DRAWING.					DATE: Jan-07-2008