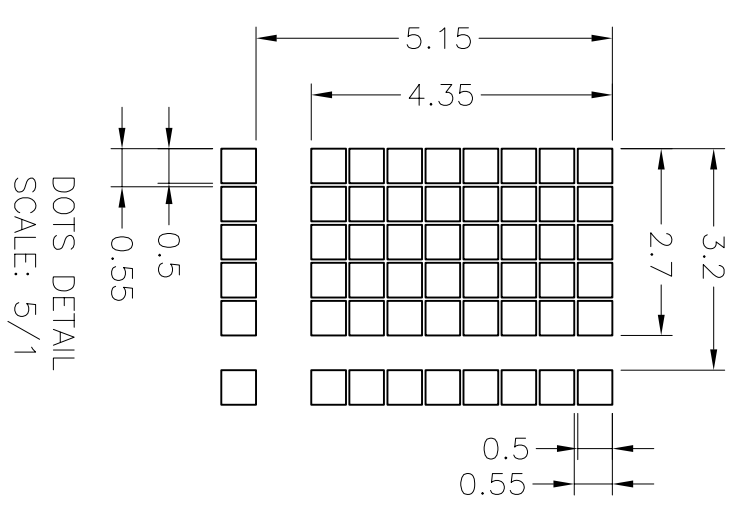
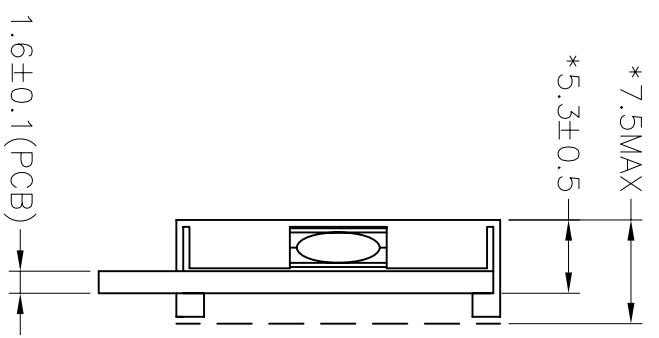
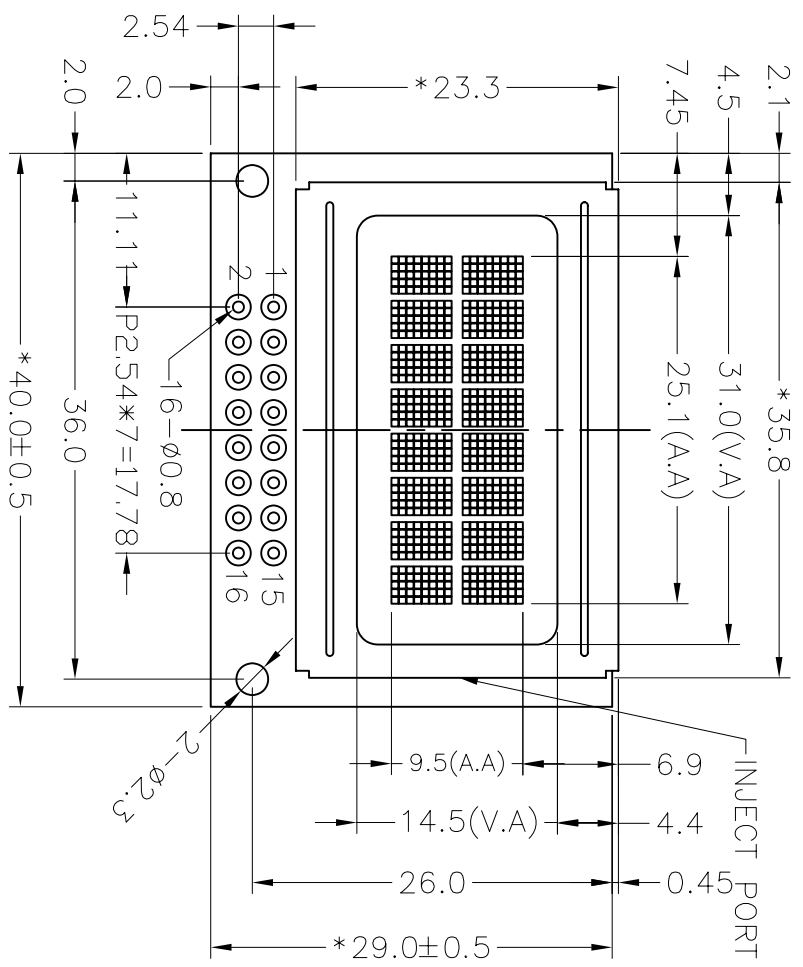


REV 版本	DESCRIPTION 描述	DATE 日期
A	First issue	OCT-26-2007




VIEWING DIRECTION




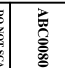
- Specification:
- 1). Driving: Duty:1/16, Bias:1/5, VLCD:4.5V(Ref.), VDD:5.0V
  - 2). Viewing direction: 6 O'clock
  - 3). Display mode: STN/Positive/Reflective/Y-G
  - 4). Operating temp.: -20°C~+70°C
  - 5). Storage temp.: -30°C~+80°C
  - 6). IC: SPLC780D-001B-C
  - 7). Backlight: None
  - 8). Dimensions with mark "\*" are important, with mark "()" are referenced
  - 9). All the raw materials are RoHS compliant

PIN	1	2	3	4	5	6	7	8
CONNECTOR	R/W	E	RS	VO	VDD	VSS	NC	NC
PIN	9	10	11	12	13	14	15	16
CONNECTOR	DB0	DB7	DB1	DB6	DB2	DB5	DB3	DB4

DOTS DETAIL  
SCALE: 5/1



**深圳秋田微电子有限公司**  
SHENZHEN AV-DISPLAY CO.,LTD.

PART NO: 零件编号	C/D 结构图	PROJECTION 三角法	MODEL NUMBER 模组型号	SCALE 比例	FTT 适应图面
ABC008002B04-YGN-R			ABC008002B04-YGN-R	SHEET: 1 OF 1	UNIT 单位 mm
GENERAL TOL: ±0.3			DATE	DATE	
DO NOT SCALE THIS DRAWING.			APP:	DATE	
			CHK:	DATE	
			DWN:	DATE	