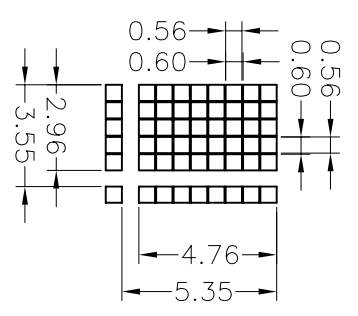
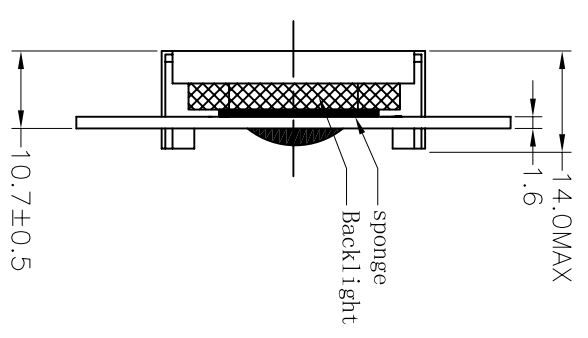
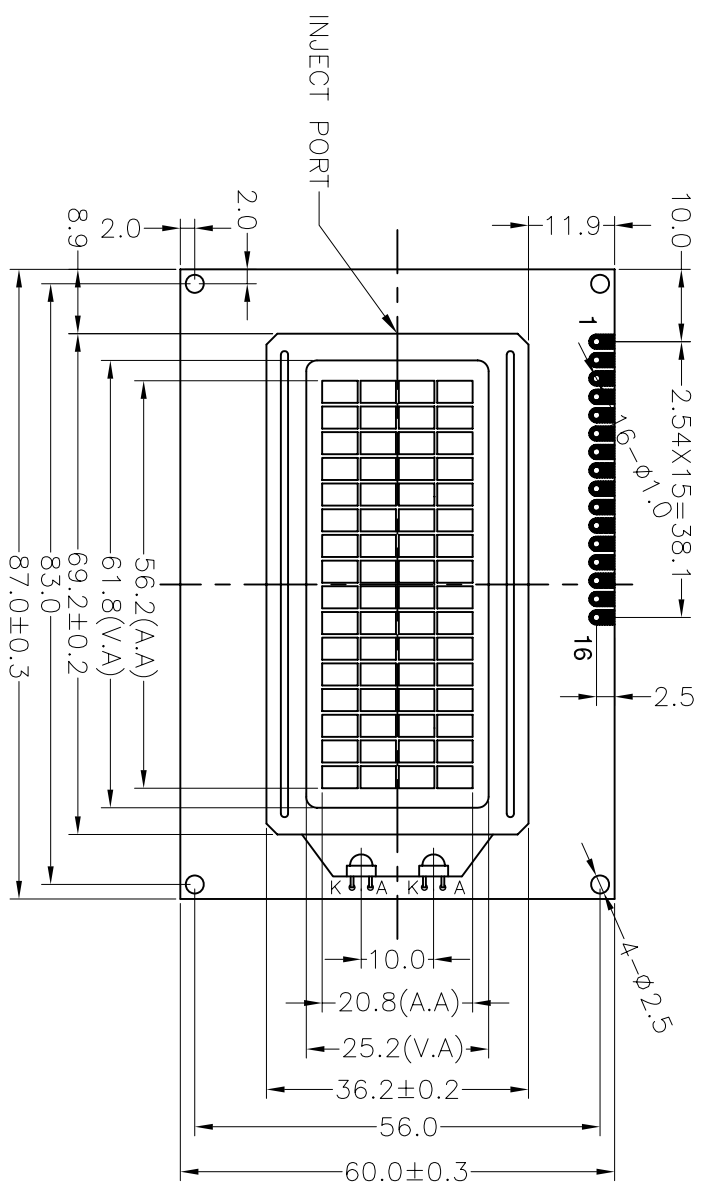



| | | |
|---------------|-------------------------------|------------------------|
| REV 版本 A00 | DESCRIPTION 描述 First issue | DATE 日期 NOV-09-2006 |
|---------------|-------------------------------|------------------------|



Specification:

- 1). Driving: Duty:1/16, Bias:1/5, V_{dd}:5.0V, V_{lcd}:4.2V(Ref.)
- 2). Viewing direction: 6 O'clock
- 3). Display mode: FSTN/Positive/Transflective
- 4). Operating temp.: -20°C~+70°C
- 5). Storage temp.: -30°C~+80°C
- 6). Drive ic: S6A0069X01-COCX(English-Russian character)
- 7). Backlight:side,White
- 8). Dimensions with mark "*" are important, with mark "()" are referenced
- 9). Meet for RoHS

| | | | | | | | | |
|-----------|-----|-----|-----|-----|-----|-----|------|------|
| PIN | 1 | 2 | 3 | 4 | 5 | 6 | 7 | 8 |
| CONNECTOR | VSS | VDD | VO | RS | RW | E | DB0 | DB1 |
| PIN | 9 | 10 | 11 | 12 | 13 | 14 | 15 | 16 |
| CONNECTOR | DB2 | DB3 | DB4 | DB5 | DB6 | DB7 | LEDA | LEDK |



深圳市秋田视佳实业有限公司
SHENZHEN AV-DISPLAY CO.,LTD.

| | | | | | |
|-----------------------|--------|-------------------|----------------------|--------------------|------------|
| PART NO: 零件编码 | CD 结构图 | PROJECTION 三角法 | MODEL NUMBER 模组型号 | SCALE: 比例 | PTT 适应图面 |
| FAV-ABC016004A08-R-00 | | | ABC016004A08-FHW-R | SHEET: 页次 | 1 OF 1 |
| | | | | GENERAL TOL: 公差 | ±0.3 |
| | | | | APPROVALS 签字 | DATE 日期 |
| | | | | CHK: 日期 | |
| | | | | DWN: 日期 | |

DO NOT SCALE THIS DRAWING.