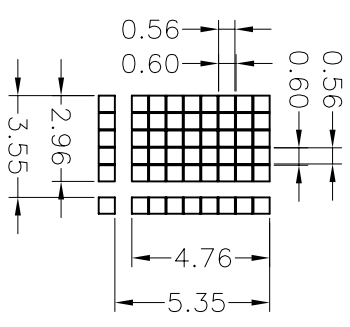
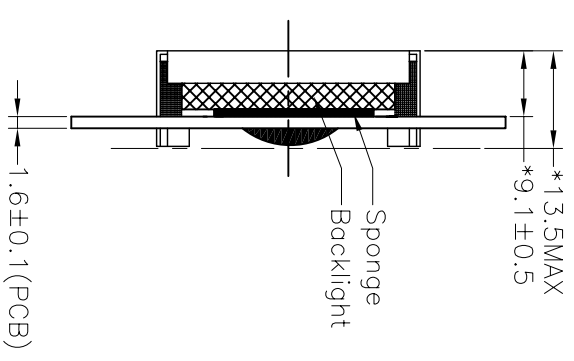
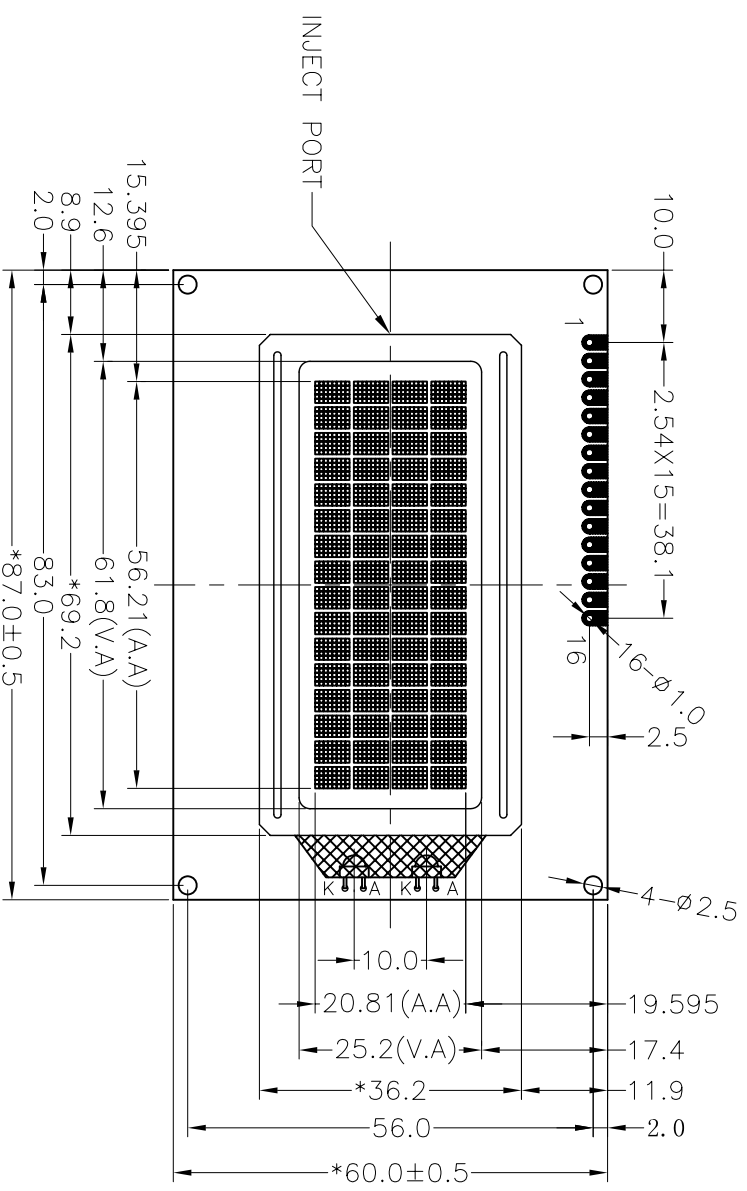


REV 版本	DESCRIPTION 描述	DATE 日期
A00	First issue	MAR-30-2006
A01	Carry out RoHS	Apr-05-2006
C	Change IC	Jan-16-2008




VIEWING DIRECTION



Specification:

- 1). Driving: Duty: 1/16, Bias:1/5, Vdd:5.0V, Vcd:4.2V
- 2). Viewing direction: 6 O'clock
- 3). Display mode: FSTN/Negative/Transmissive
- 4). Operating temp.: -20°C~+70°C  
Storage temp.: -30°C~+80°C
- 5). Drive ic: SPLC780D-002A-C(or compatible)
- 6). Backlight: Side White
- 7). Dimensions with mark "\*" are important, with mark "()" are referenced
- 8). All the raw materials are RoHS compliant

PIN	1	2	3	4	5	6	7	8
CONNECTOR	VSS	VDD	VO	RS	RW	E	DB0	DB1
PIN	9	10	11	12	13	14	15	16
CONNECTOR	DB2	DB3	DB4	DB5	DB6	DB7	LEDA	LEDK



**深圳秋田电子有限公司**  
SHENZHEN AYOYUAN ELECTRONICS CO.,LTD.

PART NO: 零件编号	CD 结构图	PROJECTION 三角法	MODEL NUMBER 模组型号	SCALE 比例	FTT 适应图面
ABC016004A05-MIW-R				SHEET: 页次	1 OF 1
				GENERAL TOL: 公差	±0.3
				UNIT 单位	mm
				DATE 日期	
				APP: 签字	
				CHK: 签字	
				DWN: 日期	

DO NOT SCALE THIS DRAWING.