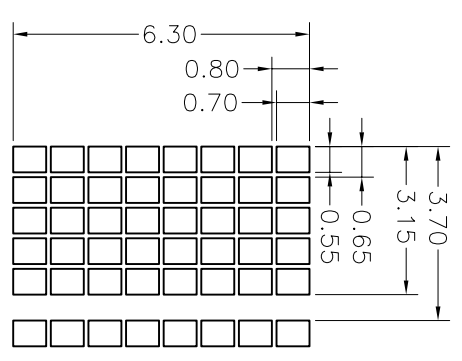
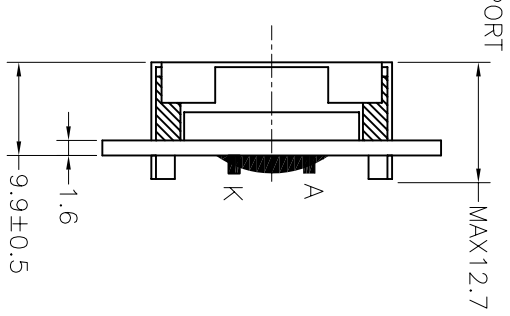
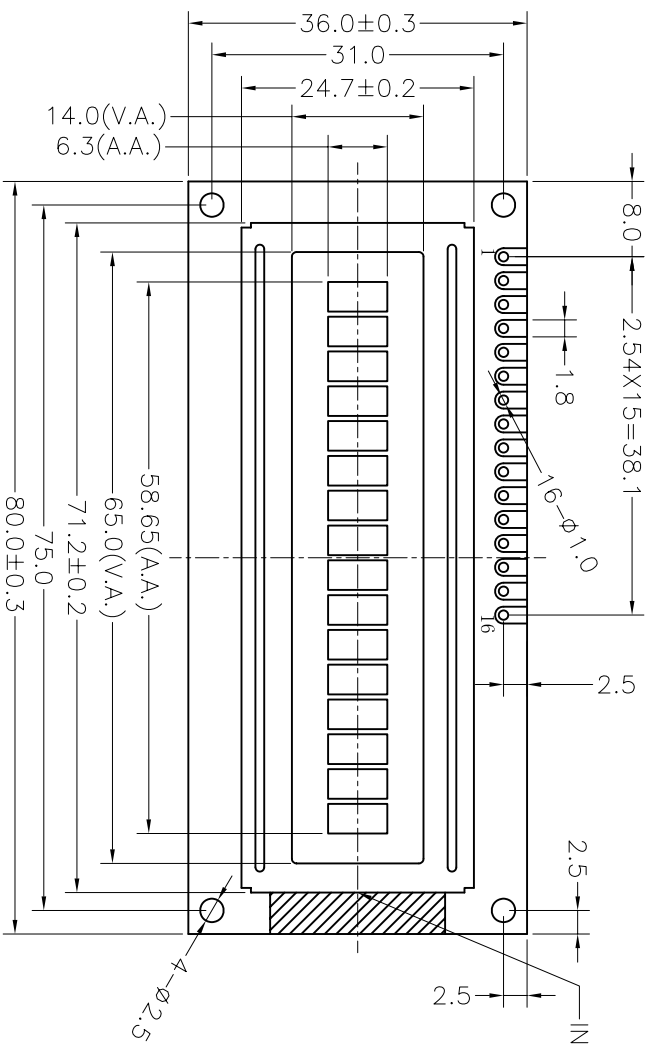


REV 版本	DESCRIPTION 描述	DATE 日期
A00	First issue	JUL-18-2006
A01	Change the VDD & Meet for RoHS ①	SEP-05-2006




DOT SIZE  
SCALE: 5:1

VIEWING DIRECTION

Specification:

- 1). Driving: Duty:1/16, Bias:1/5, Vdd:5.0V, Vicd:4.5V ①
- 2). Viewing direction: 6 O'clock
- 3). Display mode: FSTN/Positive/Transmissive
- 4). Operating temp.: -20°C~+70°C
- 5). Storage temp.: -30°C~+80°C
- 6). Drive ic: SPLC780D-01
- 7). Backlight: Side, White
- 8). Dimensions with mark "\*" are important, with mark "()" are referenced
- 9). Meet for RoHS ①

PIN	1	2	3	4	5	6	7	8
CONNECTOR	VSS	VDD	VO	RS	R/W	E	DB0	DB1
PIN	9	10	11	12	13	14	15	16
CONNECTOR	DB2	DB3	DB4	DB5	DB6	DB7	LEDA	LEDK



**深圳市秋田视佳实业有限公司**  
SHENZHEN AV-DISPLAY CO.,LTD.

PART NO: 零件编码	CD 结构图	PROJECTION 三角法	MODEL NUMBER 模组型号	SCALE: 比例	FTT 适应图面
FAY-ABC016001A16-R-01			ABC016001A16-FTW-R	SHEET: 页次	1 OF 1
				GENERAL TOL: 公差	±0.3
				APPROVALS 签字	UNIT 单位 mm
				CHK: 日期	DATE
				DWN: 日期	DATE

DO NOT SCALE THIS DRAWING.