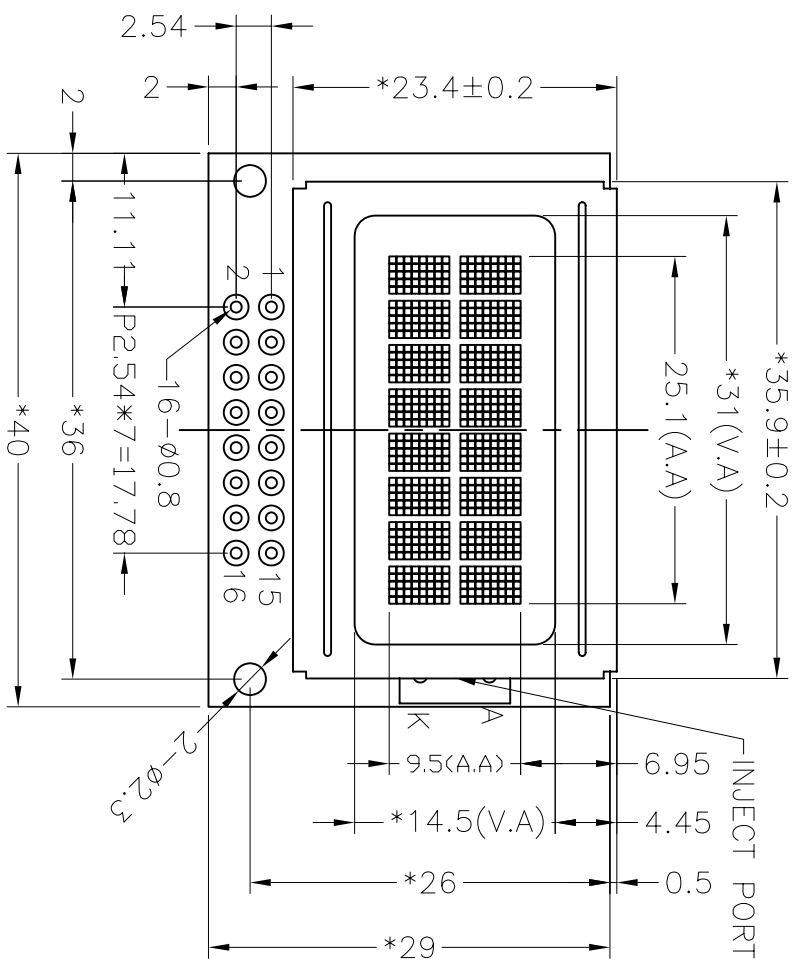


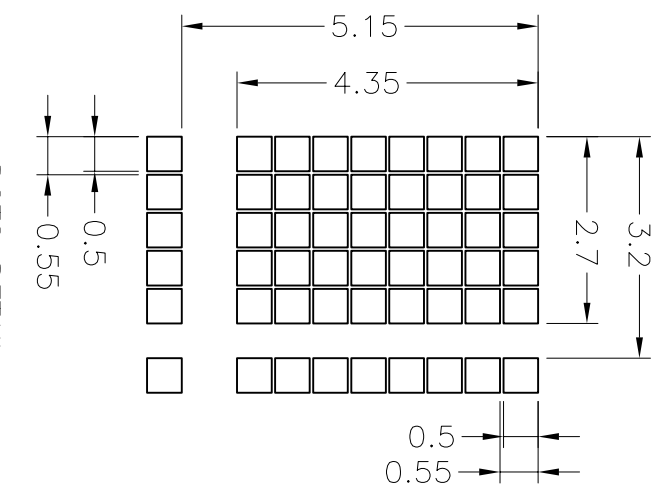
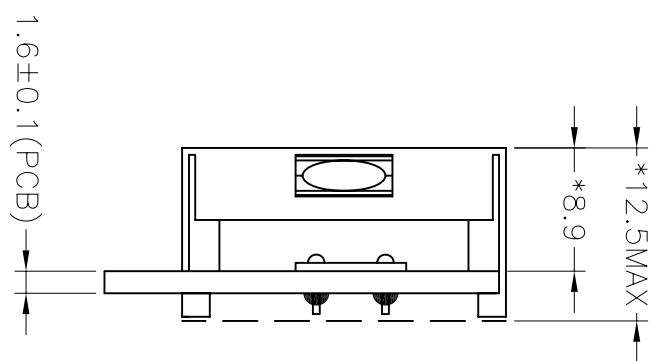
REV 版本	DESCRIPTION 描述	DATE 日期
A00	First issue	Mar-26-2007



VIEWING DIRECTION



- Specification:
- 1). Driving: Duty:1/16, Bias:1/5, Vdd:5.0V, Vlcd:4.5V
  - 2). Wiewing direction: 6 O'clock
  - 3). Display mode: TN/Positive/Transflective
  - 4). Operating temp.: -20°C~+70°C
  - 5). Storage temp.: -30°C~+80°C
  - 6). IC: SPLC780D-001-C
  - 7). Backlight: Bottom Yellow-green
  - 8). LCD Protect From Ultraviolet radiation
  - 9). Dimensions with mark "\*" are important, with mark "(") are referenced



DOTS DETAIL  
SCALE: 5/1

PIN	1	2	3	4	5	6	7	8
CONNECTOR	R/W	E	RS	VO	VDD	VSS	LEDA	LEDK
PIN	9	10	11	12	13	14	15	16
CONNECTOR	DB0	DB7	DB1	DB6	DB2	DB5	DB3	DB4

<p>深圳市秋田视佳实业有限公司 SHENZHEN AV-DISPLAY CO.,LTD.</p>		SCALE:	FTT 适应图面
		比例	
PART NO:	C/D 结构图	PROTECTION	MODEL NUMBER
零件编号		三角法	模组型号
FAY-HY-0802B-104-R-00			HY-0802B-104-R
			DO NOT SCALE THIS DRAWING.
		APP:	CHK:
		DWN:	