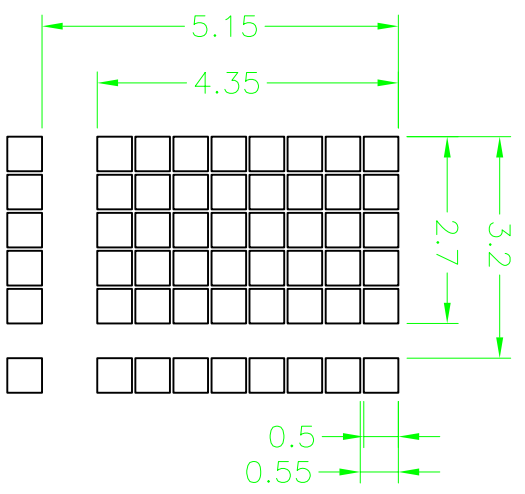
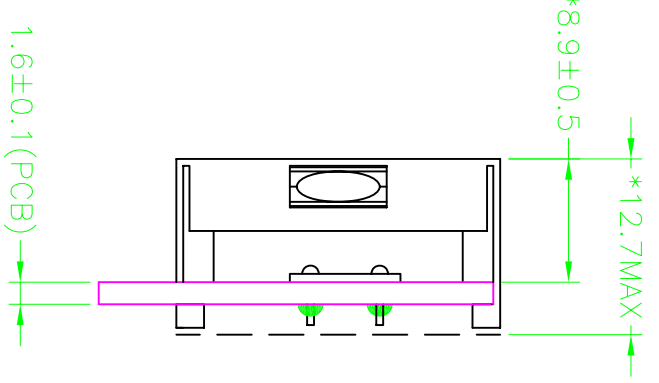
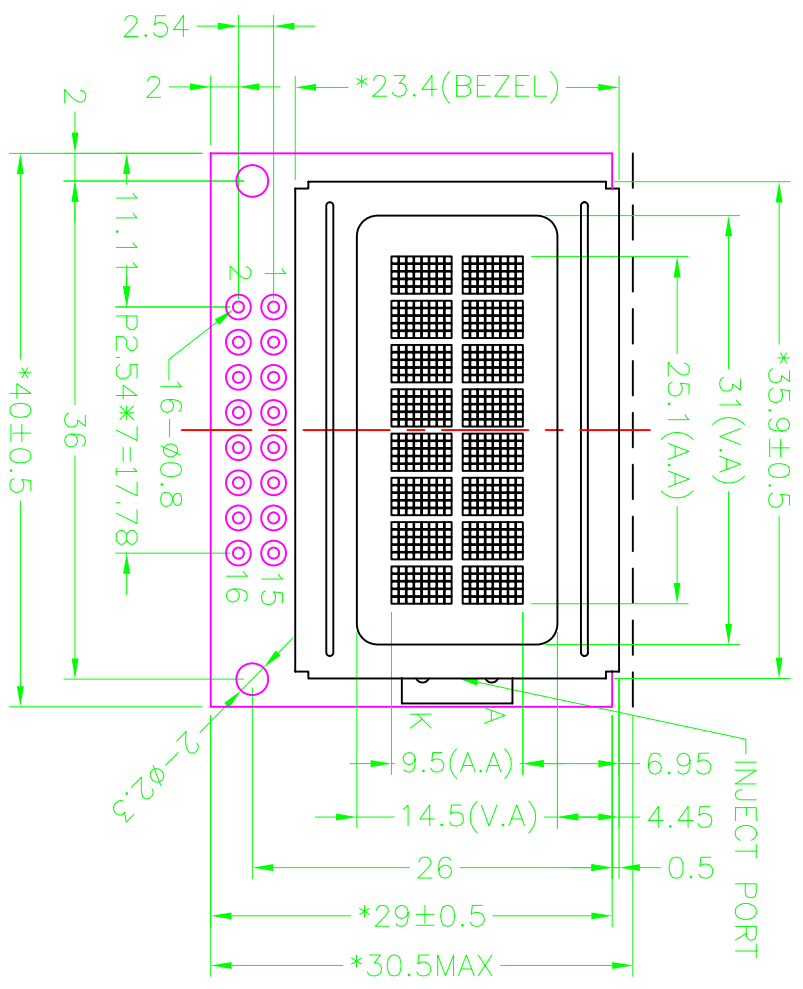


REV 版本	DESCRIPTION 描述	DATE 日期
A	First issue	OCT-11-2007




DOTS DETAIL
SCALE: 5/1

VIEWING DIRECTION




- Specification:
- 1). Driving: Duty:1/16, Bias:1/5, Vlcd:4.5V, Vdd:5.0V
 - 2). Viewing direction: 6 O'clock
 - 3). Display mode: **FSTN/Negative/Transmissive/Grey**
 - 4). Operating temp.: -20°C~+70°C
 - 5). Storage temp.: -30°C~+80°C
 - 6). IC: **SPLC780D-002A**
 - 7). Backlight: **Bottom RED**
 - 8). LCD Protect From Ultraviolet radiation
 - 9). Dimensions with mark "*" are important, with mark "(")" are referenced
 - 9). All the raw materials are RoHS complicant

PIN	1	2	3	4	5	6	7	8
CONNECTOR	R/W	E	RS	VO	VDD	VSS	LEDA	LEDK
PIN	9	10	11	12	13	14	15	16
CONNECTOR	DB0	DB7	DB1	DB6	DB2	DB5	DB3	DB4



深圳秋田电子有限公司
SHENZHEN AV-DISPLAY CO.,LTD.

PART NO: 零件编号	C/D 结构图	PROJECTION 三角法	MODEL NUMBER 模组型号	SCALE 比例	FTT 适应图面
ABC008002B03-MIR-R			ABC008002B03-MIR-R	SHEET: 1 OF 1	UNIT 单位 mm
				GENERAL TOL: ±0.3	DATE 日期
				APP: 签字	
				CHK: 签字	
				DWN: 签字	

DO NOT SCALE THIS DRAWING.