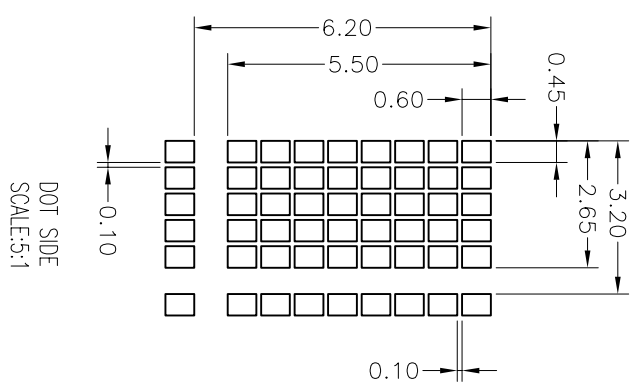
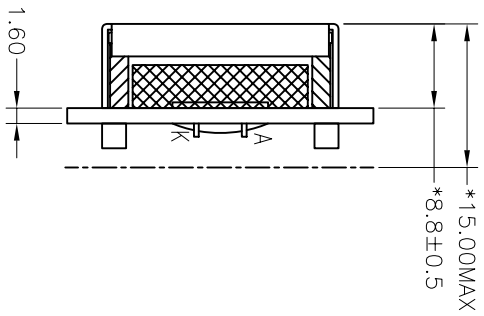
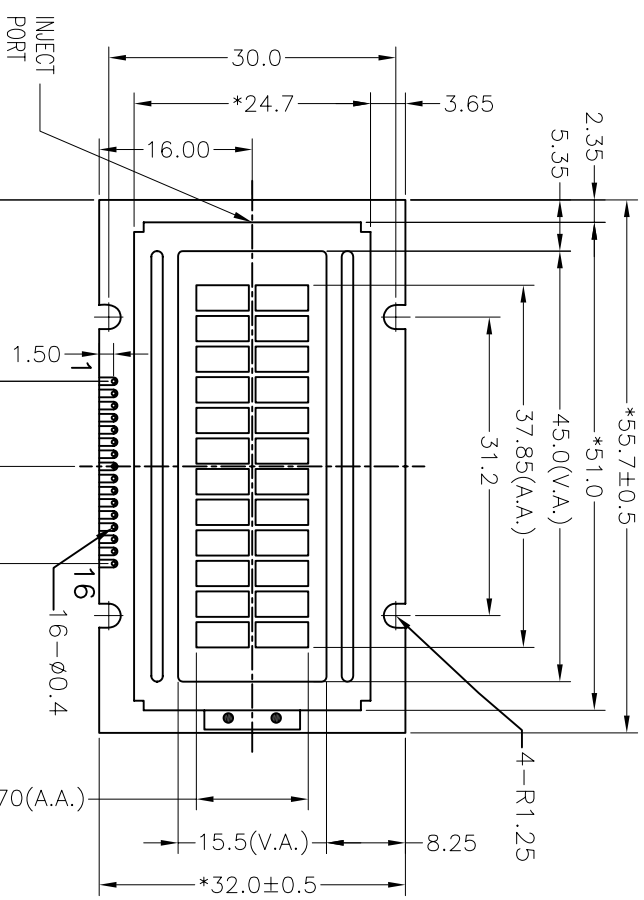


REV 版本	DESCRIPTION 描述	DATE 日期
A	First issue	APR-30-2008




Specification:

- 1). Driving: Duty:1/16,Bias:1/5, VLCD:5.0V(Ref), VDD:5.0V
- 2). Viewing angle: 6 0'clock
- 3). Display mode:STN/Positive/Transflective/Y-G
- 4). Operating temp.: 0°C~+50°C  
Storage temp.: -20°C~+70°C
- 5). IC: SPLC780D1-001A-C(0r Compatible)
- 6). Backlight: Array, Yellow-Green WLED=5.0V IfLEDmax=84mA
- 7). Dimensions with mark "\*" are important, with mark "()" are referenced
- 8). All the raw materials are RoHS compliant.



VIEWING DIRECTION



PIN	1	2	3	4	5	6	7	8
CONNECTION	VSS	VDD	V0	RS	R/W	E	DB0	DB1
PIN	9	10	11	12	13	14	15	16
CONNECTION	DB2	DB3	DB4	DB5	DB6	DB7	LEDA	LEDK



**深圳秋田微电子有限公司**  
SHENZHEN AV-DISPLAY CO.,LTD.

PART NO: 零件编号	C/D结构图	PROJECTION 三角法	MODULE NUMBER 模组型号	SCALE 比例	FTT 适应图面
ABC012002B03-YBY-R			ABC012002B03-YBY-R	SHEET: 页次	1 OF 1
				GENERAL TOL: 公差	±0.3
				UNIT: 单位	mm
				DATE 日期	
				APP: 签字	
				CHK: 签字	
				DWN: 日期	

DO NOT SCALE THIS DRAWING.