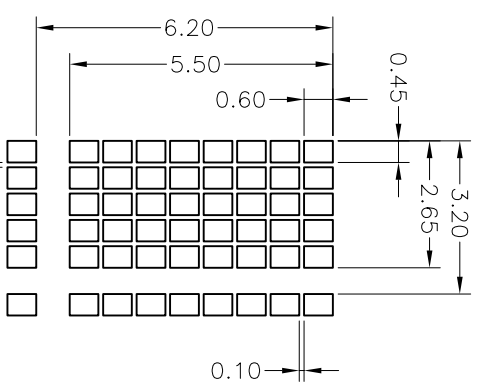
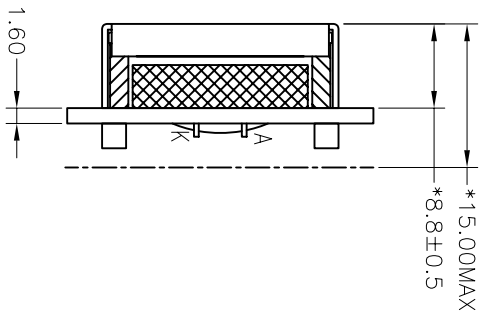
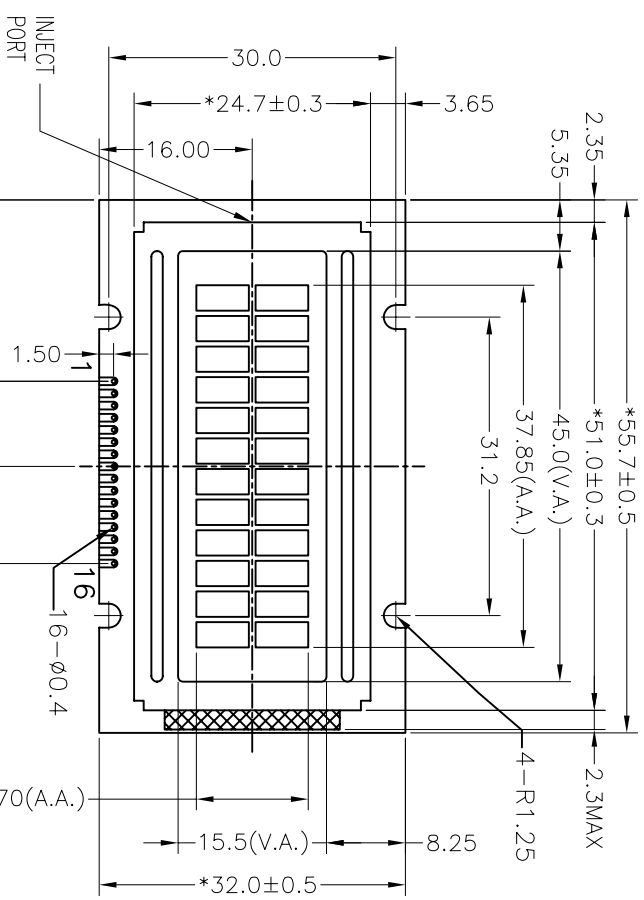


REV 版本	DESCRIPTION 描述	DATE 日期
A	First issue	FEB-22-2008



DOT SIDE  
SCALE:5:1

Specification:

- 1). Driving: Duty:1/16,Bias:1/5, VLCD:5.0V, VDD:5.0V
- 2). Viewing angle: 6 0'clock
- 3). Display mode:STN/Negative/Transmissive/Blue
- 4). Operating temp.: 0°C~+50°C  
Storage temp.: -20°C~+70°C
- 5). IC: SPLC780D1-001A-C(Or Compatible)
- 6). Backlight: Edge white Vf=5.0V Ifmax=40mA
- 7). Dimensions with mark "\*" are important, with mark "()" are referenced
- 8). All the raw materials are RoHS compliant.

VIEWING DIRECTION



PIN	1	2	3	4	5	6	7	8
CONNECTION	VSS	VDD	V0	RS	R/W	E	DB0	DB1
PIN	9	10	11	12	13	14	15	16
CONNECTION	DB2	DB3	DB4	DB5	DB6	DB7	LEDA	LEDK



深圳秋田微电子有限公司  
SHENZHEN AV-DISPLAY CO.,LTD.

PART NO: 零件编号	C/D结构图	PROJECTION 三角法	MODEL NUMBER 模组型号	SCALE 比例	FTT 适应图面
ABC012002B02-BCW-R			ABC012002B02-BCW-R	SHEET: 页次	1 OF 1
				GENERAL TOL: 公差	±0.3
				UNIT 单位	mm
				DATE 日期	
				CHK: 签字	
				APP: 签字	
				DWN: 签字	Zauecdong
				DO NOT SCALE THIS DRAWING.	
					FEB-22-2008