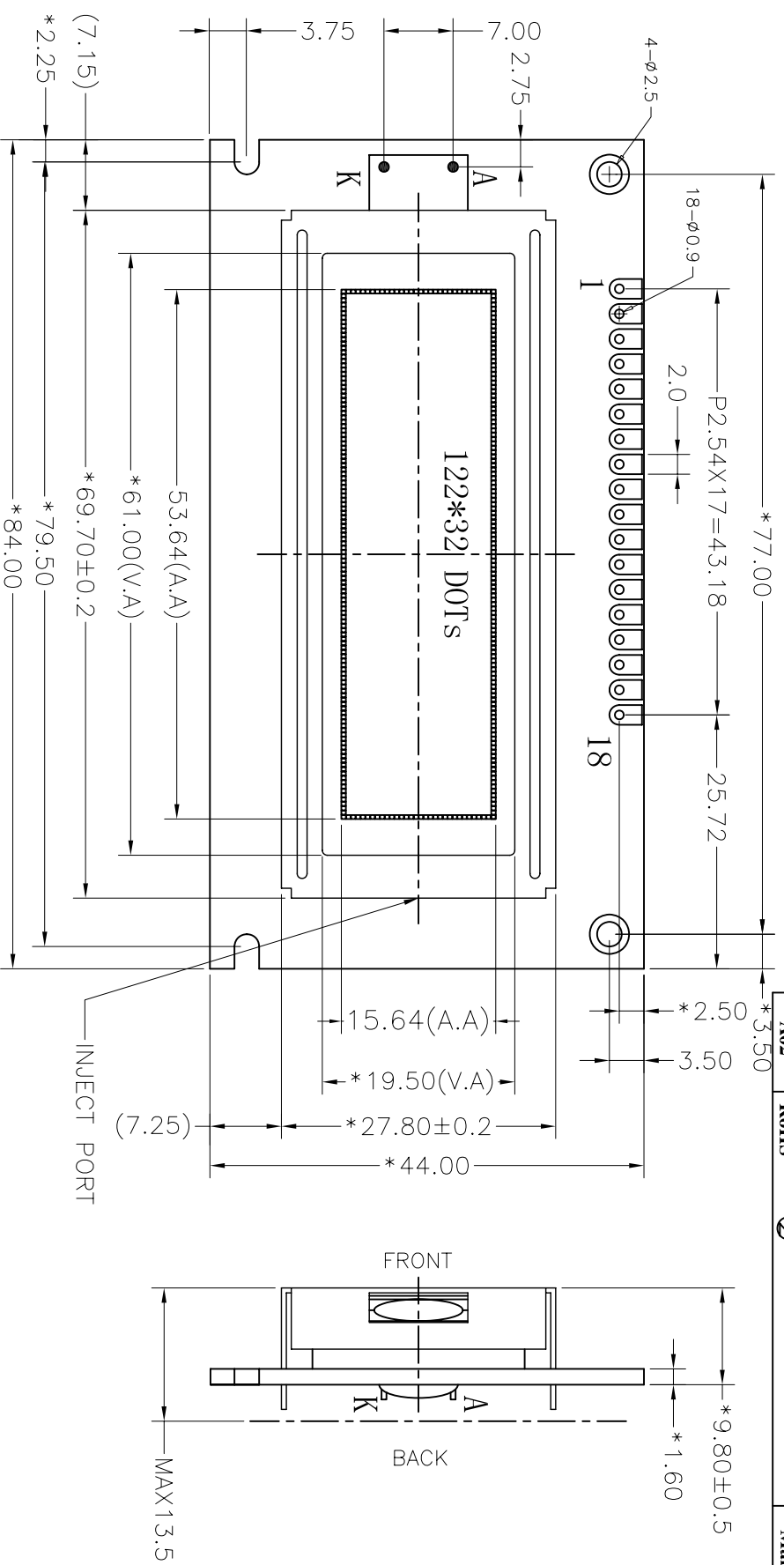
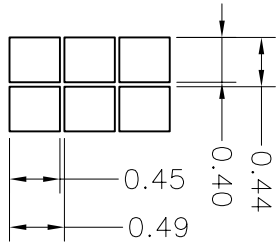


REV 版本	DESCRIPTION 描述	DATE 日期
A00	First issue	Jun-08-2005
A01	Change IC	JUL-15-2006
A02	RoHS	Mar-29-2007



PIN	1	2	3	4	5	6	7	8	9
CONNECTION	VSS	VDD	V0	A0	E1	E2	RW	D0	D1
PIN	10	11	12	13	14	15	16	17	18
CONNECTION	D2	D3	D4	D5	D6	D7	RES	LEDA	LEDK

- Specification:
- 1). Driving: Duty:1/32, Bias:1/5, VLCD:4.8V, VDD:5.0V
  - 2). Viewing angle: 6 O'clock
  - 3). Display mode: STN/Y-G/Positive/Transflective
  - 4). Operating temp.: -20°C~+70°C  
Storage temp.: -30°C~+80°C
  - 5). IC: PT6520
  - 6). Backlight: Bottom Y-G
  - 7). Dimensions with mark "\*" are important, with mark "()" are referenced
  - 8). Meet for RoHS



DOTS Size  
SCALE 10:1

**深圳市秋田视佳实业有限公司**  
SHENZHEN AV-DISPLAY CO., LTD.

PART NO. 零件编号	C/D 结构图	PROJECTION 三角法	MODEL NUMBER 模组型号	SCALE 比例	FTT 适应图面
FAV-CBG122032E01-R-02			CRG122032E01-YHY-R	SHEET: 1 OF 1	UNIT 单位 mm
				APP: _____	DATE 日期
				CHK: _____	
				DWN: _____	

GENERAL TOL: ±0.3

DO NOT SCALE THIS DRAWING.