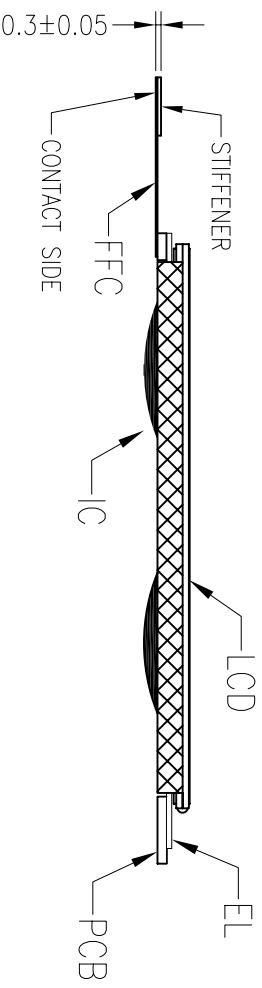
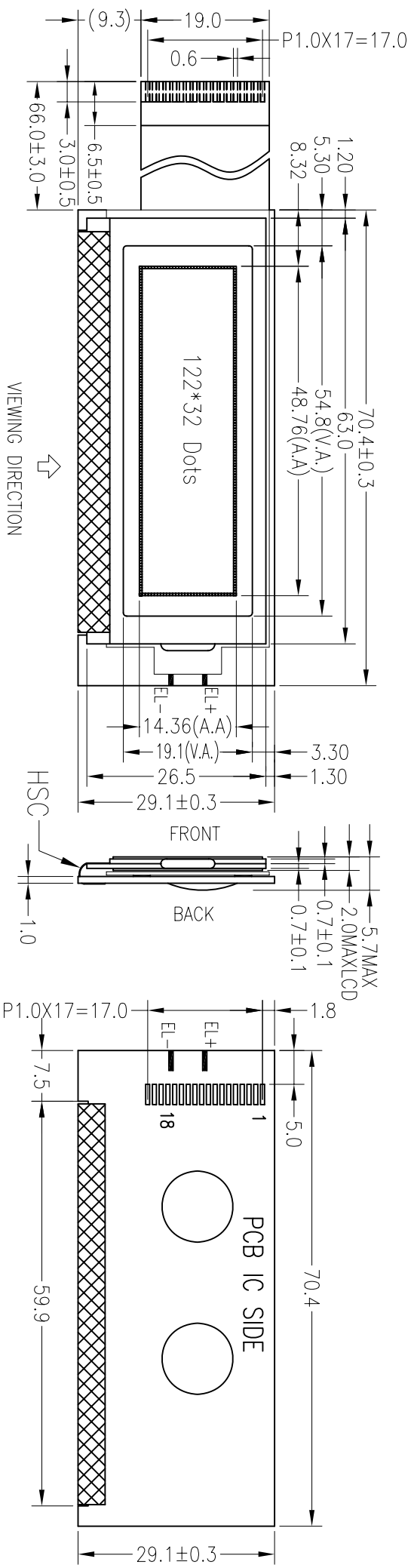


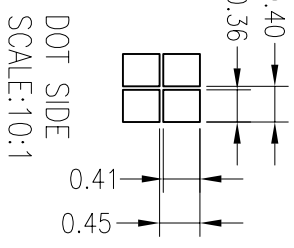
REV 版本	DESCRIPTION 描述	DATE 日期
A00	First issue	MAR-07-2006



Specification:

- 1). Driving: Duty:1/32, Bias:1/5, VLCD:4.5V, VDD:5.0V
- 2). Viewing angle: 6 0'clock
- 3). Display mode: STN/Positive/Transflective/YG
- 4). Operating temp.: -20°C~+70°C
Storage temp.: -30°C~+80°C
- 5). IC: AX6120DOA
- 6). Backlight: EL,White
- 7). Dimensions with mark "*" are important, with mark "()" are referenced

PIN	1	2	3	4	5	6	7	8	9
CONNECTION	VDD	VSS	V0	RST	E1	E2	R/W	A0	DB0
PIN	10	11	12	13	14	15	16	17	18
CONNECTION	DB1	DB2	DB3	DB4	DB5	DB6	DB7	EL+	EL-



		深圳秋田视佳实业有限公司 SHENZHEN AV-DISPLAY CO., LTD	
PART NO: 零件编号	C/D结构图	PROJECTION 三角法	MODEL NUMBER 模组型号
FAV-ABG122032F03-00			
		DO NOT SCALE THIS DRAWING.	
		SCALE: FIT 适应图面	
		SHEET: 1 OF 1	
		GENERAL TOL: ±0.3	
		UNIT 单位: mm	
		DATE 日期	
		APPR: 签字	
		CHK: 签字	
		DWN: 签字	