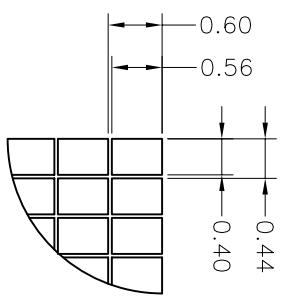
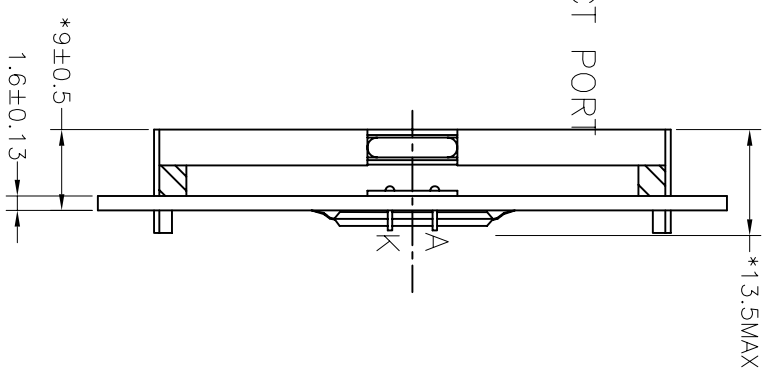
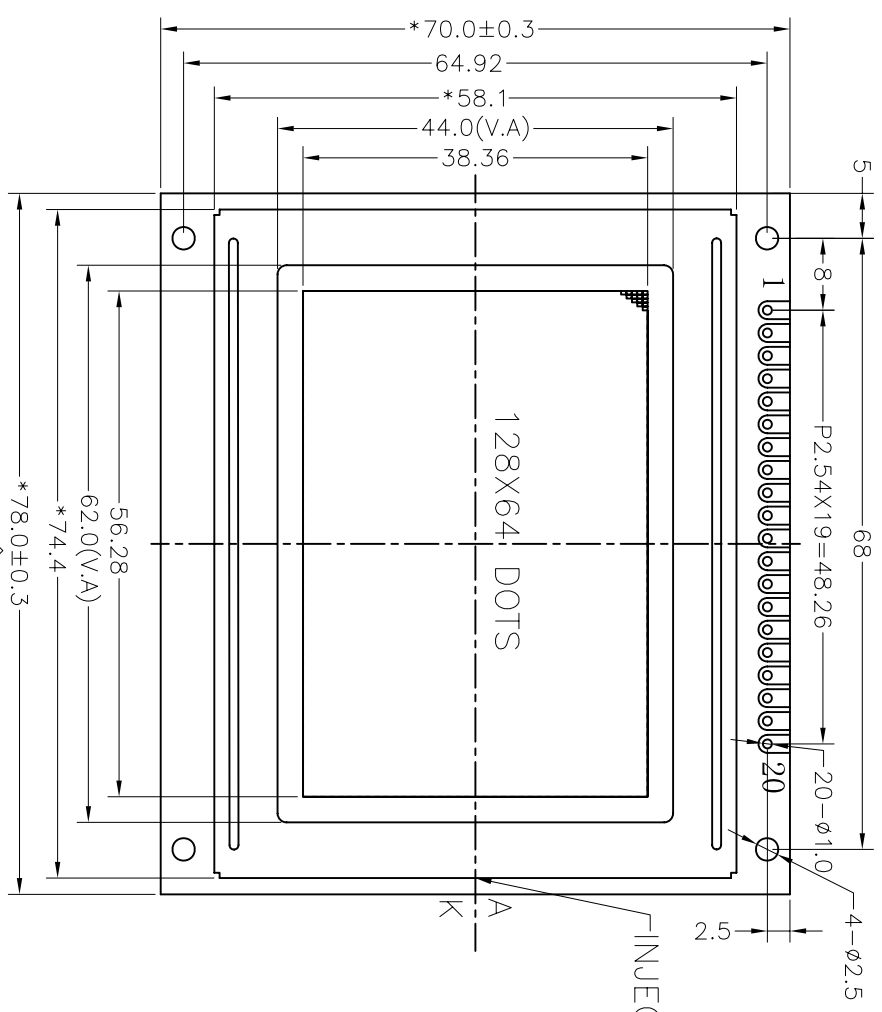


REV 版本	DESCRIPTION 描述	DATE 日期
A00	First issue	AUG-28-2007



DOTS SIZE
SCALE 10:1

Specification:

- 1). Driving: Duty:1/64 Bias:1/9, VLCD:1.3.0V(Ref.), VDD:5.0V
- 2). Viewing Direction: 6 O'clock
- 3). Display mode:STN/Positive/Transflective/YG
- 4). Operating temp.: -20°C~+70°C
- 5). Storage temp.: -30°C~+80°C
- 6). IC: SAP1024B
- 7). Backlight: Bottom,Y-G
- 8). Dimensions with mark "*" are important, with mark "()" are referenced
- 8). All the raw materials are RoHS compliant.

VIEWING DIRECTION

PIN	1	2	3	4	5	6	7	8	9	10
CONNECTION	VEE	VSS	VDD	VO	/WR	/RD	/CE	/CD	/RST	DB0
PIN	11	12	13	14	15	16	17	18	19	20
CONNECTION	DB1	DB2	DB3	DB4	DB5	DB6	DB7	FS	LEDA	LEDK



深圳秋田微电子有限公司
SHENZHEN AV-DISPLAY CO.,LTD.

SCALE: FIT 适应图面

SHEET: 1 OF 1

GENERAL TOL: ±0.3

UNIT 单位: mm

PART NO: 零件编号	C/D结构图	PROJECTION 三角法	MODEL NUMBER 模组型号	APPROVALS 签字	DATE 日期
ABG128064F05-YHY-R			ABG128064F05-YHY-R	CHK: DWN:	