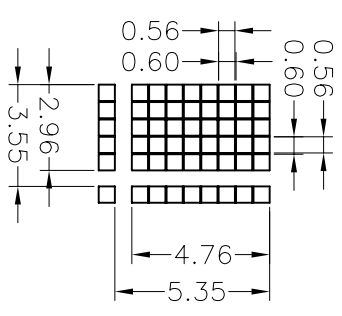
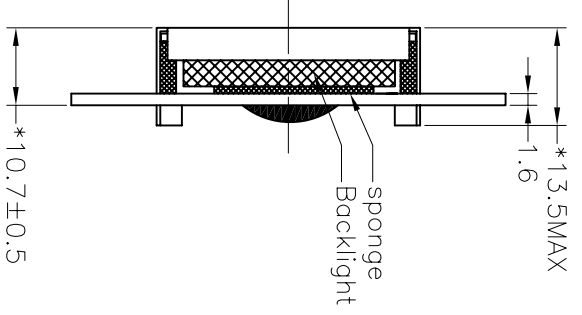
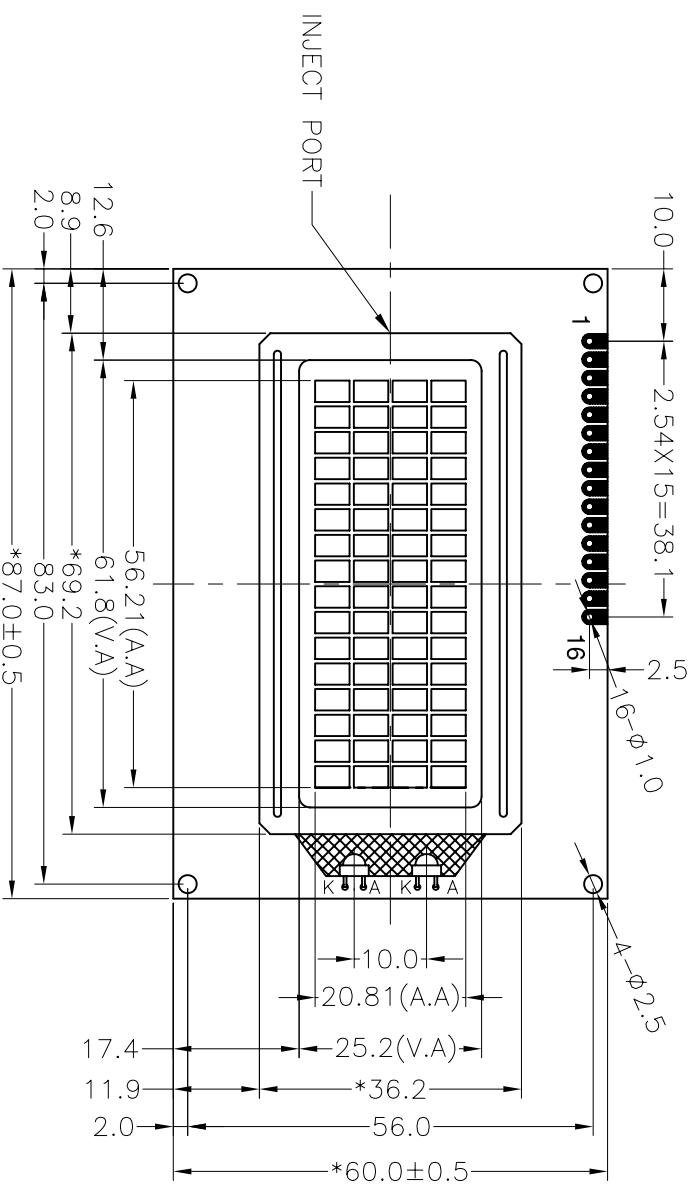


REV 版本	DESCRIPTION 描述	DATE 日期
A	First issue	NOV-05-2007




DOT SIZE
SCALE: 4:1

VIEWING DIRECTION

Specification:

- 1). Driving: Duty:1/16, Bias:1/5, VDD:5.0V, VLCD:4.2V
- 2). Viewing direction: 6 O'clock
- 3). Display mode: TN/Negative/Transmissive/Blue
- 4). Operating temp.: -20°C~+70°C
- 5). Storage temp.: -30°C~+80°C
- 6). IC: SPLC780D-001B-C
- 7). Backlight:side,White ,
- 8). Dimensions with mark "*" are important, with mark "()" are referenced
- 9). All the raw materials are RoHS compliant.

PIN	1	2	3	4	5	6	7	8
CONNECTOR	VSS	VDD	VO	RS	RW	E	DB0	DB1
PIN	9	10	11	12	13	14	15	16
CONNECTOR	DB2	DB3	DB4	DB5	DB6	DB7	LEDA	LEDK



深圳秋田电子有限公司
SHENZHEN AV-DISPLAY CO.,LTD.

PART NO: 零件编号	CD 结构图	PROJECTION 三角法	MODEL NUMBER 模组型号	SCALE 比例	FTT 适应图面
ABC016004A03-B1W-R-01				SHEET: 页次	1 OF 1
				GENERAL TOL: 公差	±0.3
				UNIT 单位	mm
				DATE	
				APP: 签字	
				CHK: 签字	
				DWN: 日期	

DO NOT SCALE THIS DRAWING.